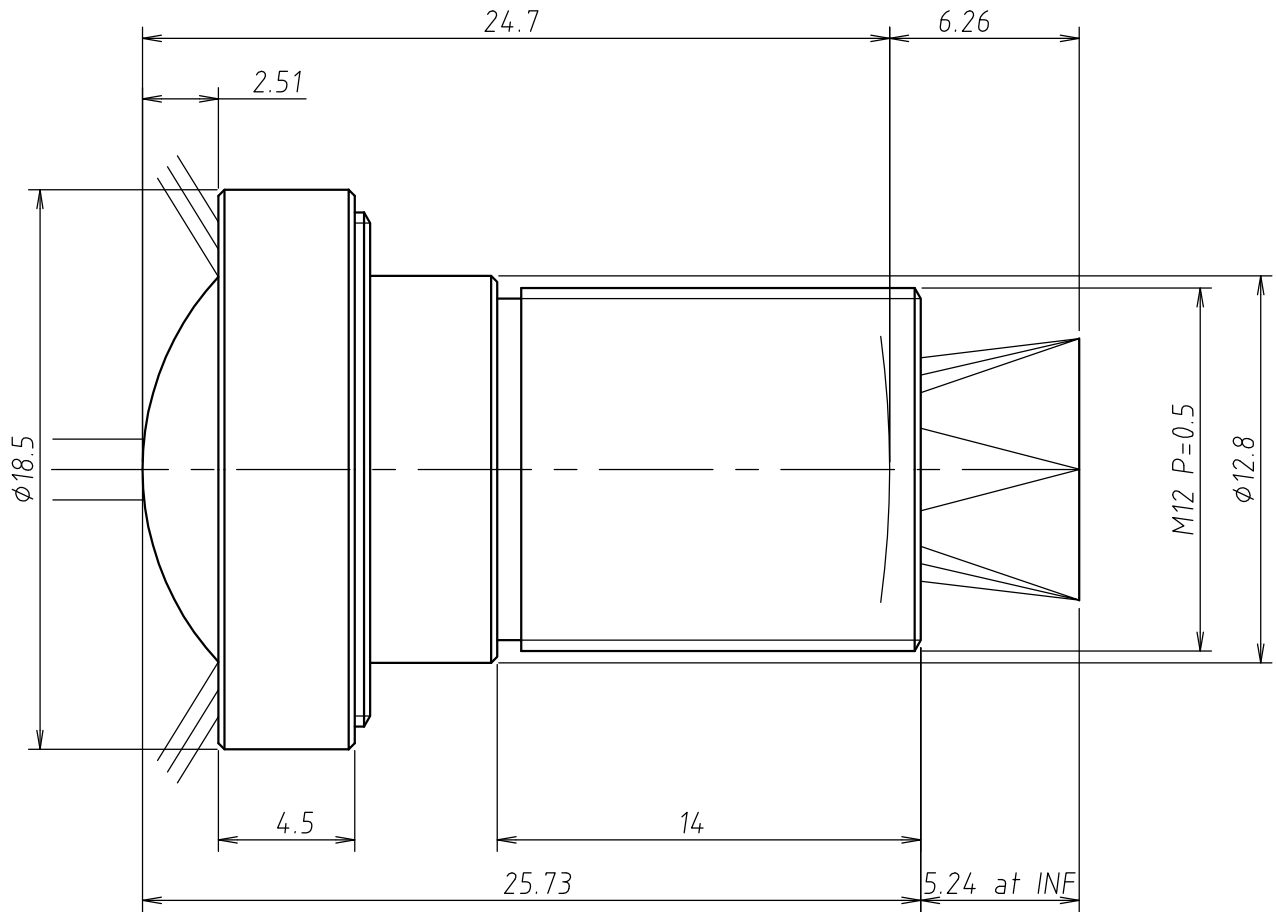


Lens Specification	
Focal length	4.0mm±5%
Back focal length	6.26mm±5% at INF.
Mechanical back	5.24mm±0.3mm at INF.
Aperture ratio	F/2.0 ±5%
Image size	1/1.8"(5.2mmx6.9mm)
Magnification	-
Distortion	-33%
Angle of view at INF.	
Vertical	72.8°
Horizontal	95.0°
Diagonal	116.4°
Resolution	
Center	160LP/mm
Corner	80LP/mm
Pupil positions	
Entrance pupil	7.49mm (Front lens)
Exit pupil	-14.61mm (Image plane)
Principal points	
Object space	10.4mm (Front lens)
Image space	-4.0mm (Image plane)
Coating	
All surfaces are antireflection coated. MgF2 single coated.	

Specifications above are design specifications.

Angle of view at INF.			
Image size	1/2" (4.8X6.4)	1/3" (3.6X4.8)	1/4" (2.7X3.6)
Vertical	67.4°	51.0°	38.4°
Horizontal	88.6°	67.4°	51.0°
Diagonal	108.6°	83.4°	63.4°
Distortion	-28.2%	-15.9%	-8.9%

Note:



**UNIVERSE KOGAKU (AMERICA), INC.**

116 Audrey Avenue, Oyster Bay, New York 11771  
Phone: (516)624-2444/Fax: (516)624-3109

△4		TITLE	4.0mm F/2.0 LENS		DRAWN	K.S	
△3		P/NO.	YS040	SCALE	4:1	CHECKED	H.K.
△2		Mfg.NO.	YS040A-Y01-0	UOI	YS040	SHEET	1 OF 1
△1						REV	A
	09/23/2022						