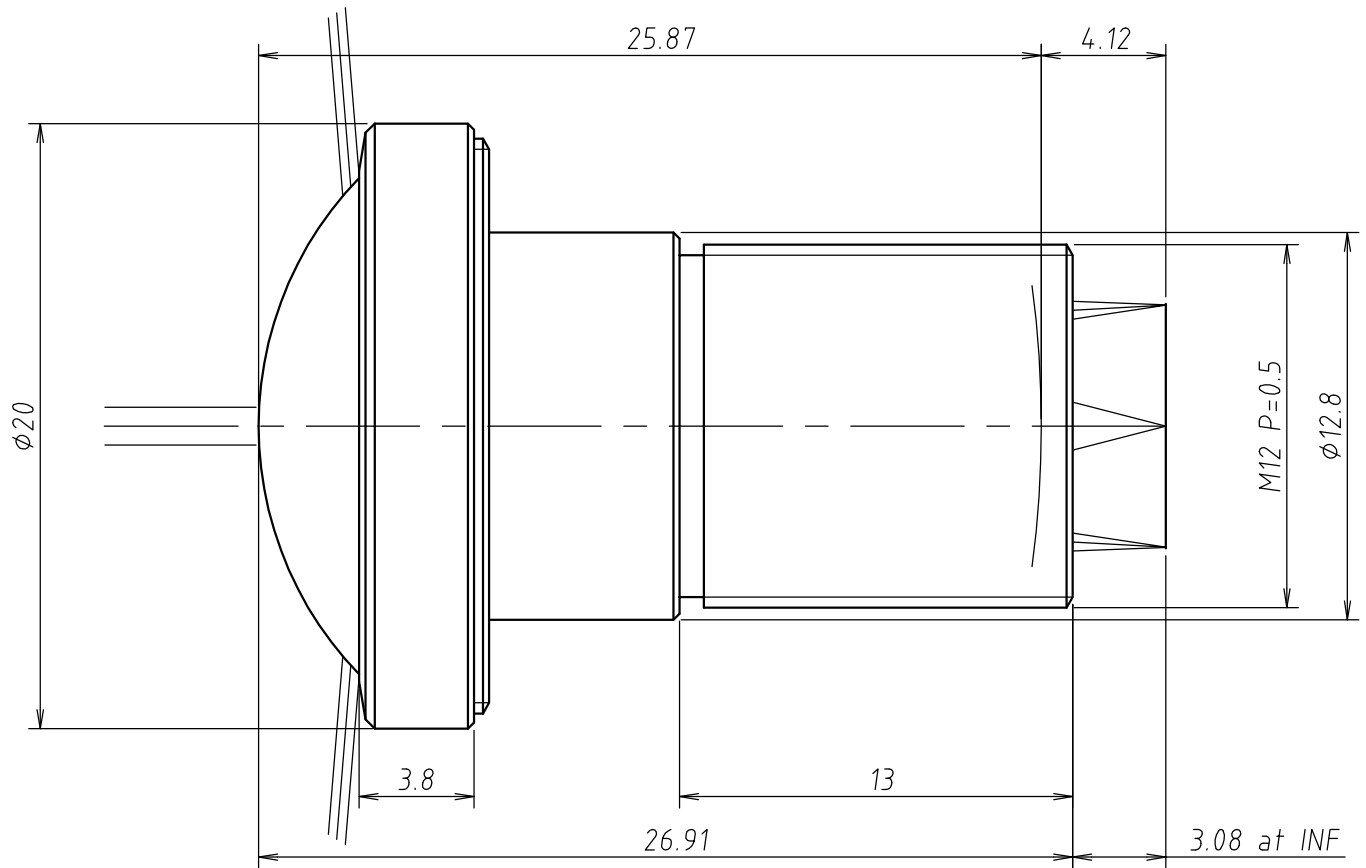


Lens Specification	
Focal length	2.5mm±5%
Back focal length	4.12mm±5% at INF.
Mechanical back	3.08mm±0.3mm at INF.
Aperture ratio	F/2.0 ±5%
Image size	1/2"(4.8mmx6.4mm)
Magnification	-
Distortion	-87%
Angle of view at INF.	
Vertical	107.4°
Horizontal	140.2°
Diagonal	170.7°
Resolution	
Center	160LP/mm
Corner	80LP/mm
Pupil positions	
Entrance pupil	5.69mm (Front lens)
Exit pupil	-19.53mm (Image plane)
Principal points	
Object space	7.88mm (Front lens)
Image space	-2.50mm (Image plane)
Coating	
All surfaces are antireflection coated. MgF2 single coated.	

Specifications above are design specifications.

Angle of view at INF.			
Image size	1/2.3" (6.24X4.71)	1/3" (3.6X4.8)	1/4" (2.7X3.6)
Vertical	105.3°	81.3°	61.3°
Horizontal	136.9°	107.4°	81.3°
Diagonal	167.2°	132.2°	100.9°
Distortion	-82.5%	-47.4%	-26.3%

Note:



**UNIVERSE KOGAKU (AMERICA), INC.**

116 Audrey Avenue, Oyster Bay, New York 11771  
Phone: (516)624-2444/Fax: (516)624-3109

△4		TITLE	2.5mm F/2.0 LENS		DRAWN	K.S	
△3		P/NO.	YS025	SCALE	4:1	CHECKED	H.K.
△2		Mfg.NO.	YS025A-Y01-0	UOI	YS025	SHEET	1 OF 1
△1						REV	A
	09/23/2022						