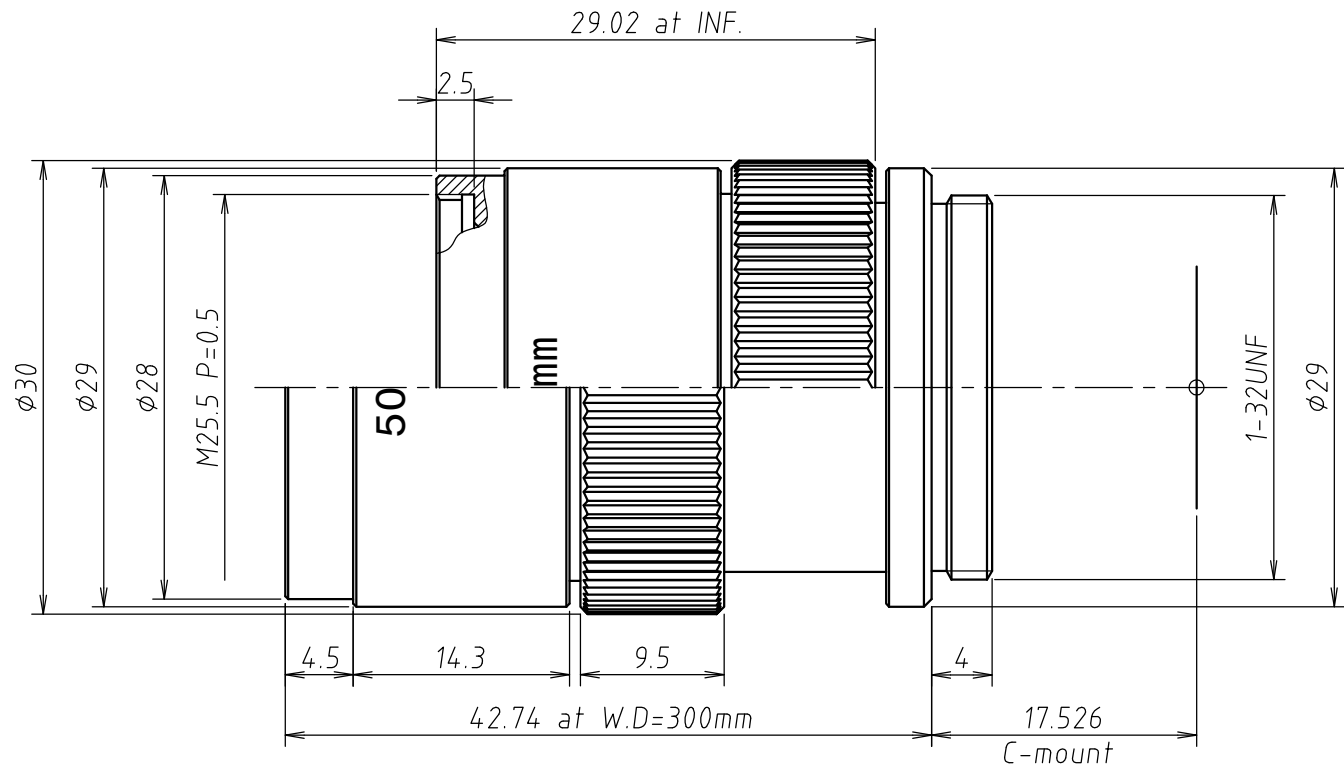


Lens Specification	
Focal length	50.22mm±5%
Back focal length	21.88mm±0.5mm at INF
Mechanical back	-
Aperture ratio	F/2.9 ±5%
Image size	1" (9.6mm X12.8mm)
Magnification	-
Distortion	0.75%
Angle of view at INF.	
Vertical	10.9°
Horizontal	14.5°
Diagonal	18.0°
Resolution	
Center	100LP/mm
Corner(70%)	63LP/mm
Pupil positions	
Entrance pupil	20.33mm (Front lens)
Exit pupil	-34.31mm (Image plane)
Principal points	
Object space	-2.89mm (Front lens)
Image space	-50.19mm (Image plane)
Coating (λ =546nm)	
All surfaces are antireflection coated. MgF2 single coated.	

Angle of view at INF.			
Image size	2/3" (6.6X8.8)	1/2" (4.8X6.4)	1/3" (3.6X4.8)
Vertical	7.5°	5.5°	4.1°
Horizontal	10.0°	7.3°	5.5°
Diagonal	12.5°	9.1°	6.8°

Note:

The resolution stated above indicates the resolution at W.D.1500mm by design



△		TITLE	50mm F/2.9 1"CCD LENS	
△		P/NO.	VX990	
△		Mfg.NO.	VX990A-Y01-0	
△	01/30/2012		SHEET 1 OF 1	REV A



UNIVERSE KOGAKU (AMERICA), INC.

116 Audrey Avenue, Oyster Bay, New York 11771
Phone: (516)624-2444/Fax: (516)624-3109