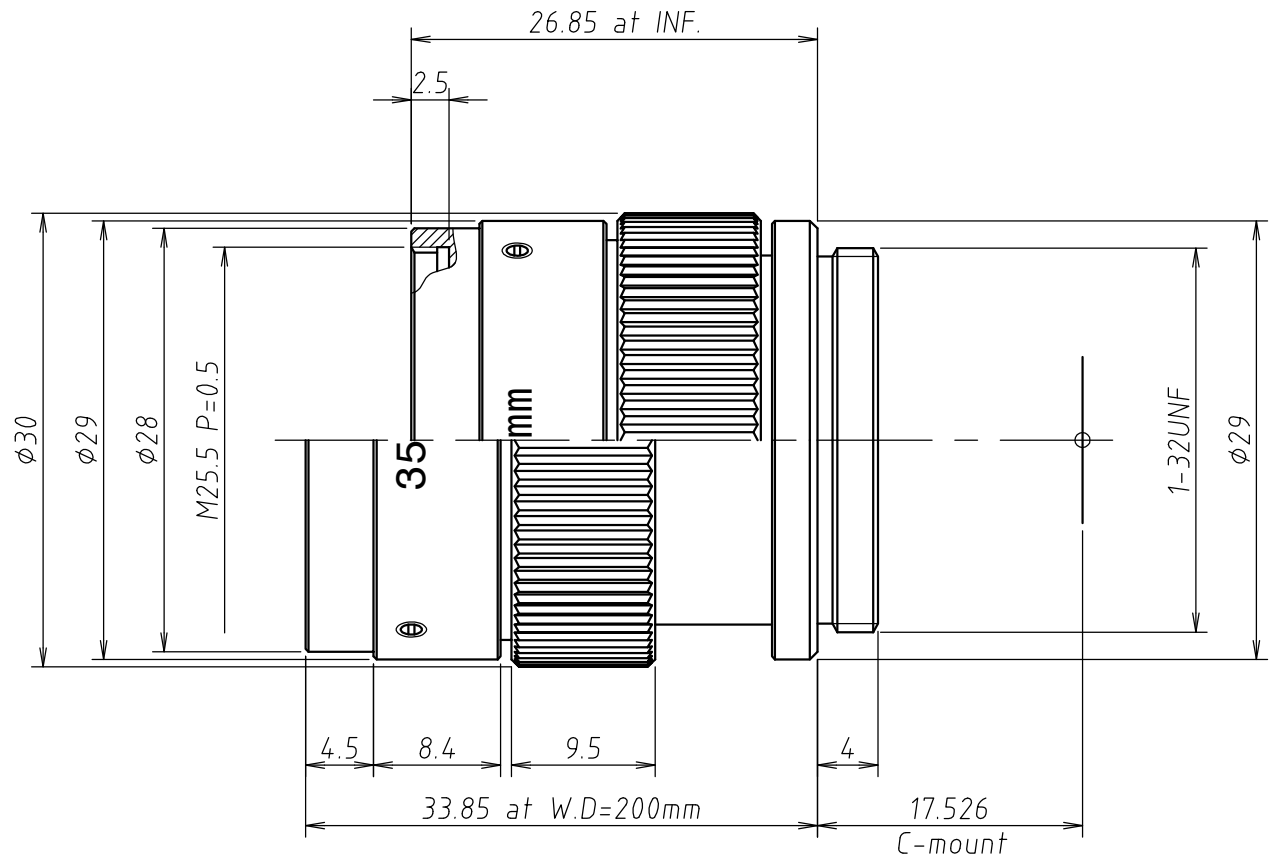


Lens Specification	
Focal length	35.3mm ±5%
Back focal length	15.41mm±0.5mm at INF
Mechanical back	-
Aperture ratio	F/2.2 ±5%
Image size	1" (9.6mm×12.8mm)
Magnification	-
Distortion	1.1%
Angle of view at INF.	
Vertical	15.4°
Horizontal	20.4°
Diagonal	25.3°
Resolution	
Center	125LP/mm
Corner(70%)	63LP/mm
Pupil positions	
Entrance pupil	18.23mm (Front lens)
Exit pupil	-27.80mm (Image plane)
Principal points	
Object space	8.74mm (Front lens)
Image space	-35.27mm (Image plane)
Coating (λ =550nm)	
All surfaces are antireflection coated. MgF2 single coated.	

Angle of view at INF.			
Image size	2/3" (6.6X8.8)	1/2" (4.8X6.4)	1/3" (3.6X4.8)
Vertical	10.7°	7.8°	5.8°
Horizontal	14.2°	10.3°	7.8°
Diagonal	17.6°	12.9°	9.7°

Note:  
The resolution stated above indicates  
the resolution at W.D.1200mm by design



△		TITLE	35mm F/2.2 1"CCD LENS		
△		P/NO.	VX850		
△		Mfg.NO.	VX850A-Y01-0	SHEET 1 OF 1	REV A
△	01/30/2012				



UNIVERSE KOGAKU (AMERICA), INC.

116 Audrey Avenue, Oyster Bay, New York 11771  
Phone: (516)624-2444/Fax: (516)624-3109