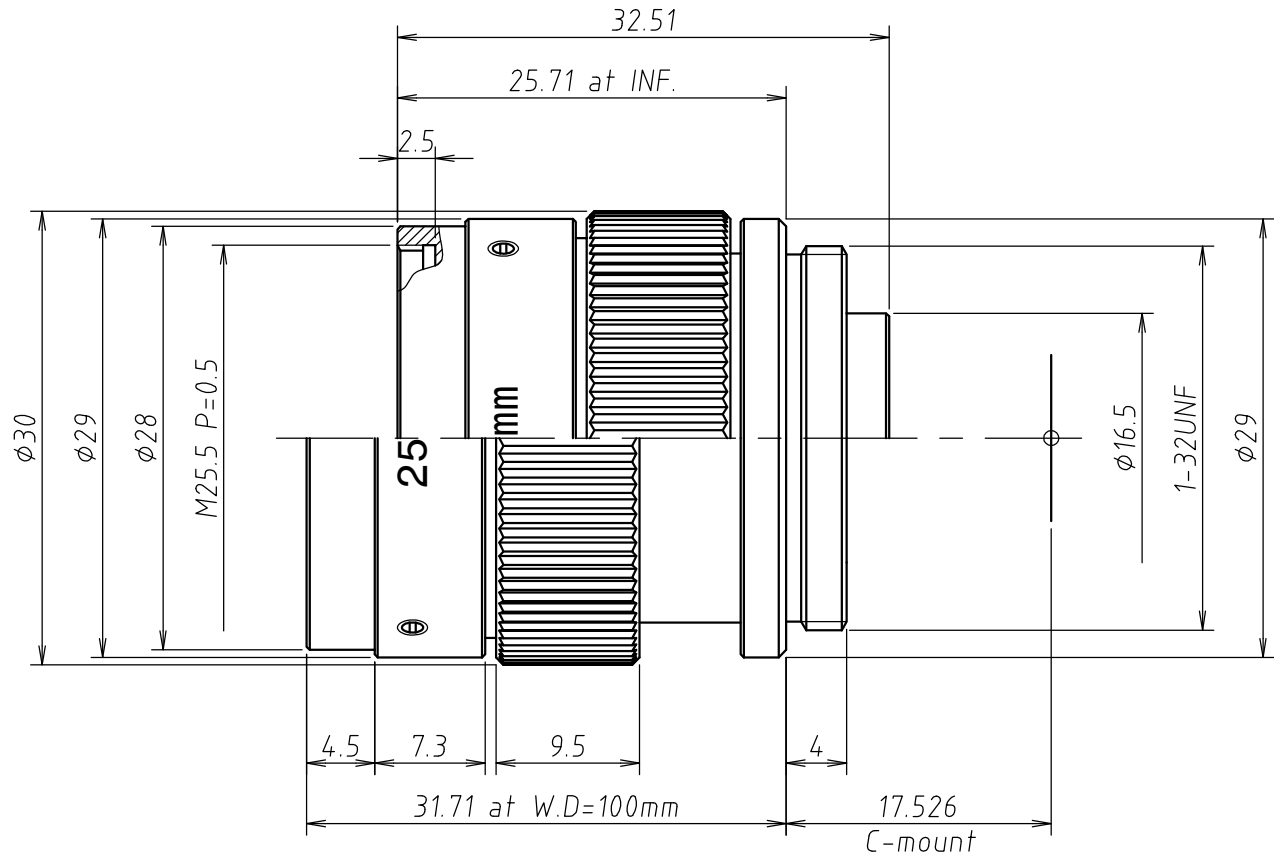


Lens Specification	
Focal length	25.0mm ±5%
Back focal length	11.52mm±0.5mm at INF
Mechanical back	-
Aperture ratio	F/1.4 ±5%
Image size	1" (9.6mm×12.8mm)
Magnification	-
Distortion	-0.75%
Angle of view at INF.	
Vertical	21.8°
Horizontal	28.8°
Diagonal	35.7°
Resolution	
Center	125LP/mm
Corner(70%)	50LP/mm
Pupil positions	
Entrance pupil	17.57mm (Front lens)
Exit pupil	-35.72mm (Image plane)
Principal points	
Object space	25.05mm (Front lens)
Image space	-25.03mm (Image plane)
Coating (λ =550nm)	
All surfaces are antireflection coated. MgF2 single coated.	

Angle of view at INF.			
Image size	2/3" (6.6X8.8)	1/2" (4.8X6.4)	1/3" (3.6X4.8)
Vertical	15.0°	11.0°	8.2°
Horizontal	20.0°	14.6°	11.0°
Diagonal	24.9°	18.2°	13.7°

Note:
The resolution stated above indicates
the resolution at W.D.1000mm by design



△		TITLE	25mm F/1.4 1"CCD LENS		
△		P/NO.	VX750		
△		Mfg.NO.	VX750A-Y01-0	SHEET 1 OF 1	REV A
△	01/30/2012				



UNIVERSE KOGAKU (AMERICA), INC.
116 Audrey Avenue, Oyster Bay, New York 11771
Phone: (516)624-2444/Fax: (516)624-3109