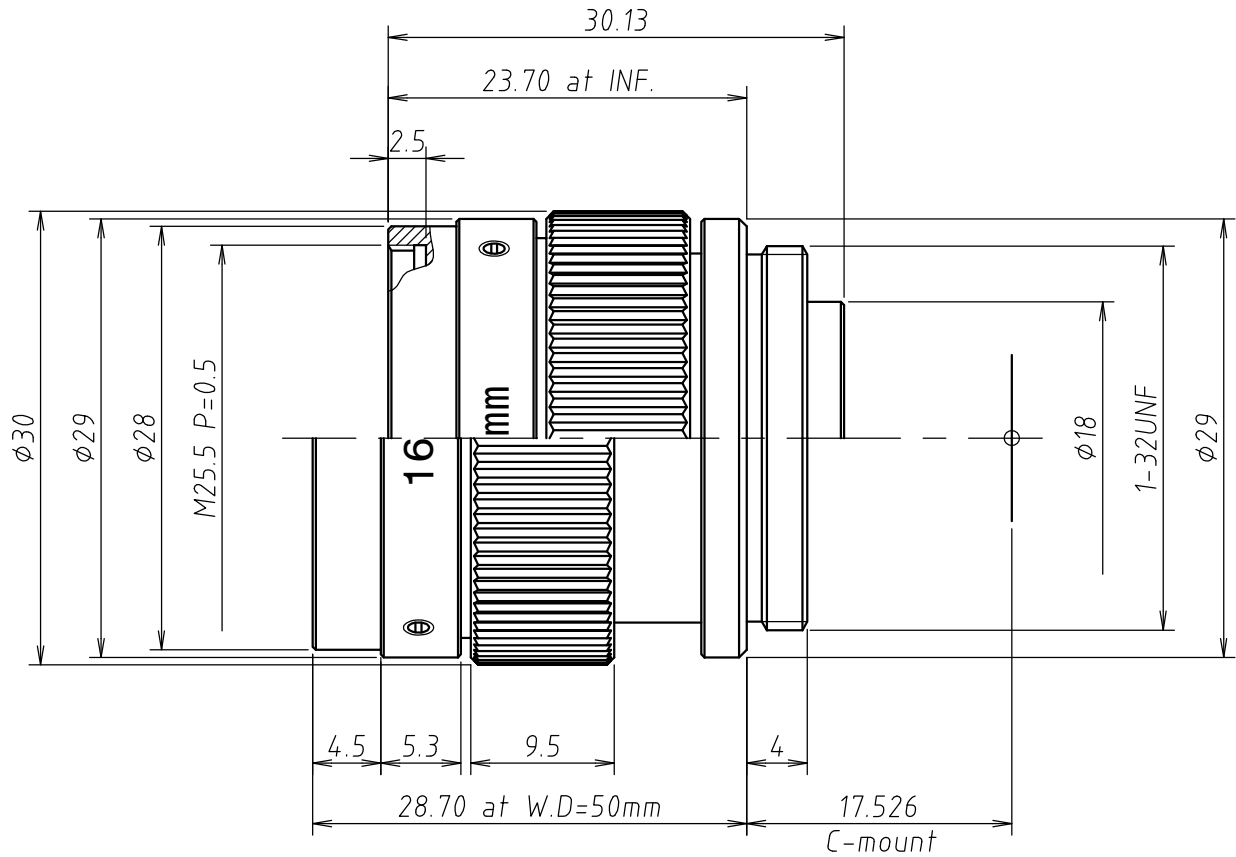


Lens Specification	
Focal length	16.0mm±5%
Back focal length	11.71mm±0.3mm at INF
Mechanical back	-
Aperture ratio	F/1.4 ±5%
Image size	2/3" (6.6mm×8.8mm)
Magnification	-
Distortion	-2.1%
Angle of view at INF.	
Vertical	23.5°
Horizontal	31.2°
Diagonal	38.7°
Resolution	
Center	125LP/mm
Corner(70%)	63LP/mm
Pupil positions	
Entrance pupil	5.28mm (Front lens)
Exit pupil	-32.02mm (Image plane)
Principal points	
Object space	13.29mm (Front lens)
Image space	-15.97mm (Image plane)
Coating (λ =550nm)	
All surfaces are antireflection coated. MgF2 single coated.	

Angle of view at INF.		
Image size	1/2"(4.8X6.4)	1/3"(3.6X4.8)
Vertical	17.1°	12.9°
Horizontal	22.8°	17.1°
Diagonal	28.4°	21.4°

Note:
The resolution stated above indicates the resolution at W.D.800mm by design



△		TITLE	16mm F/1.4 2/3" CCD LENS		
△		P/NO.	VX660		
△		Mfg.NO.	VX660A-Y01-0	SHEET 1 OF 1	REV A
△	01/30/2012				



UNIVERSE KOGAKU (AMERICA), INC.
116 Audrey Avenue, Oyster Bay, New York 11771
Phone: (516)624-2444/Fax: (516)624-3109