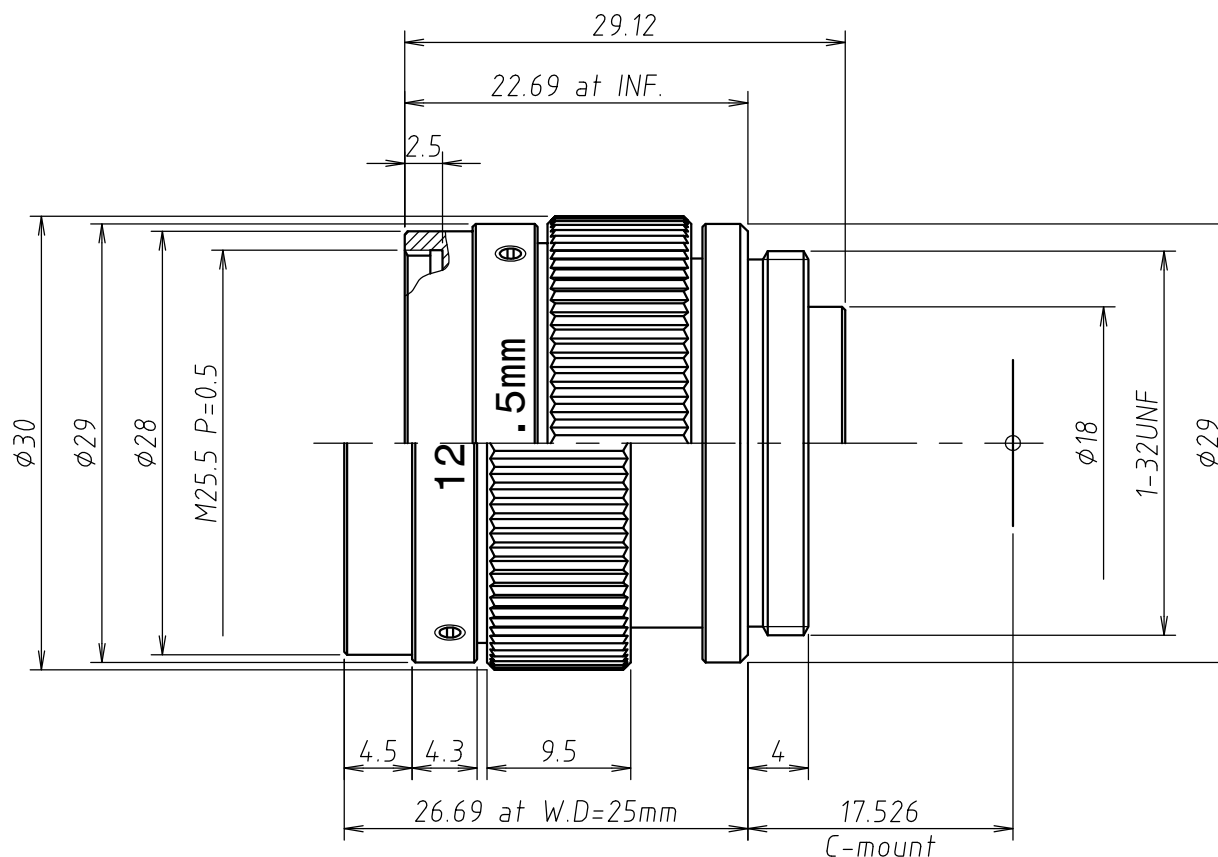


Lens Specification	
Focal length	12.5mm±5%
Back focal length	12.22mm±0.3mm at INF
Mechanical back	-
Aperture ratio	F/1.4 ±5%
Image size	2/3" (6.6mm×8.8mm)
Magnification	-
Distortion	-2.5%
Angle of view at INF.	
Vertical	29.6°
Horizontal	39.1°
Diagonal	48.1°
Resolution	
Center	125LP/mm
Corner(70%)	63LP/mm
Pupil positions	
Entrance pupil	14.66mm (Front lens)
Exit pupil	-57.85mm (Image plane)
Principal points	
Object space	24.50mm (Front lens)
Image space	-12.68mm (Image plane)
Coating (λ =550nm)	
All surfaces are antireflection coated. MgF2 single coated.	

Angle of view at INF.		
Image size	1/2"(4.8X6.4)	1/3"(3.6X4.8)
Vertical	21.6°	16.3°
Horizontal	28.7°	21.6°
Diagonal	35.7°	27.0°

Note:

The resolution stated above indicates the resolution at W.D.500mm by design



△		TITLE	12.5mm F/1.4 2/3" CCD LENS
△		P/NO.	VX620
△		Mfg.NO.	VX620A-Y01-0
△		SHEET	1 OF 1
	01/30/2012	REV	A



UNIVERSE KOGAKU (AMERICA), INC.

116 Audrey Avenue, Oyster Bay, New York 11771
Phone: (516)624-2444/Fax: (516)624-3109