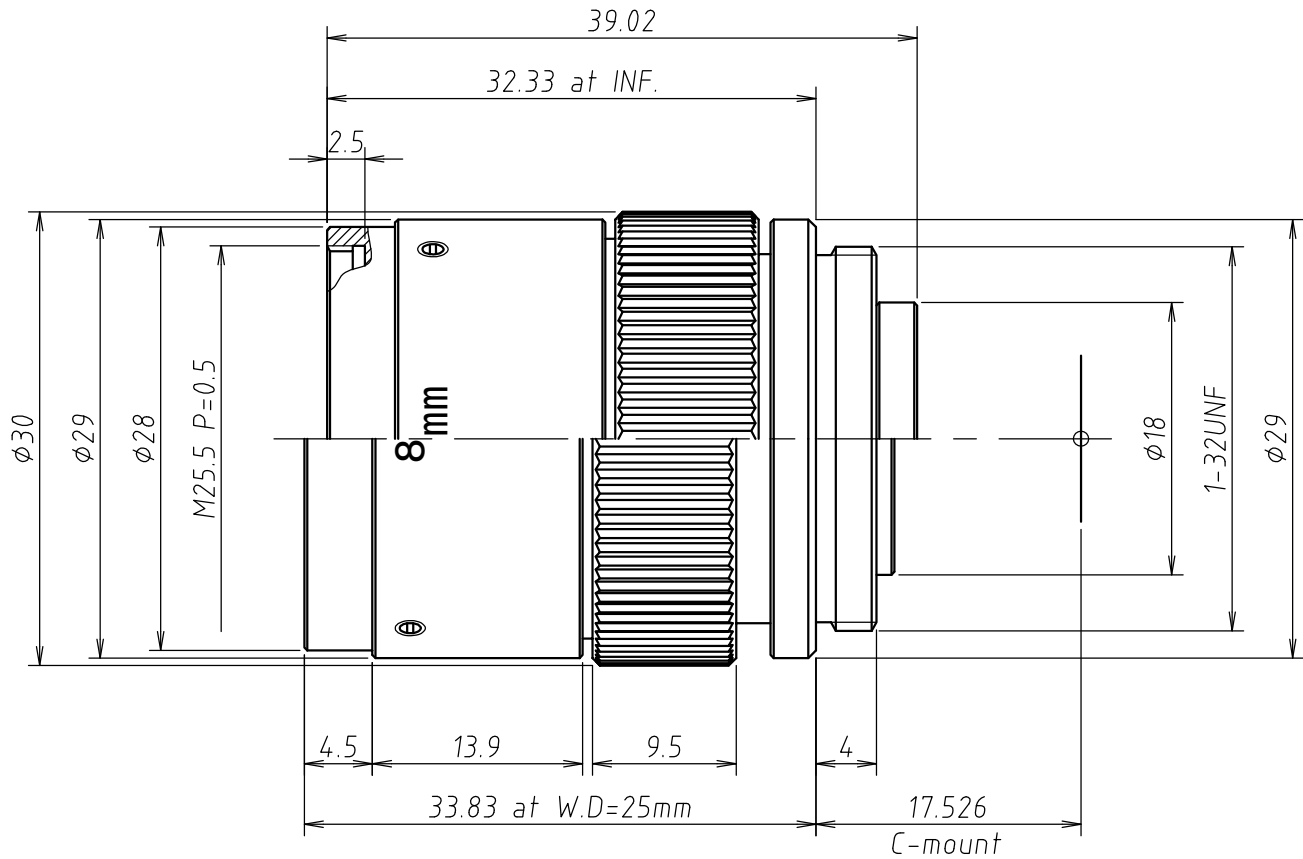


Lens Specification	
Focal length	8.07mm±5%
Back focal length	10.99mm±0.3mm at INF
Mechanical back	-
Aperture ratio	F/1.4 ±5%
Image size	2/3" (6.6mm×8.8mm)
Magnification	-
Distortion	-9%
Angle of view at INF.	
Vertical	46.0°
Horizontal	60.3°
Diagonal	73.8°
Resolution	
Center	125LP/mm
Corner(70%)	63LP/mm
Pupil positions	
Entrance pupil	9.56mm (Front lens)
Exit pupil	-43.58mm (Image plane)
Principal points	
Object space	16.13mm (Front lens)
Image space	-8.03mm (Image plane)
Coating (λ = 550nm)	
All surfaces are antireflection coated. MgF2 single coated.	

Angle of view at INF.		
Image size	1/2"(4.8X6.4)	1/3"(3.6X4.8)
Vertical	33.8°	25.4°
Horizontal	44.7°	33.8°
Diagonal	55.2°	42.0°



Note:
The resolution stated above indicates the resolution at W.D.500mm by design

UNIVERSE
UNIVERSE KOGAKU (AMERICA), INC.
116 Audrey Avenue, Oyster Bay, New York 11771
Phone: (516)624-2444/Fax: (516)624-3109

△		TITLE	8mm F/1.4 2/3" CCD LENS
△		P/NO.	VX580
△		Mfg.NO.	VX580A-Y01-0
△			
	01/30/2012		
		SHEET 1 OF 1	REV A