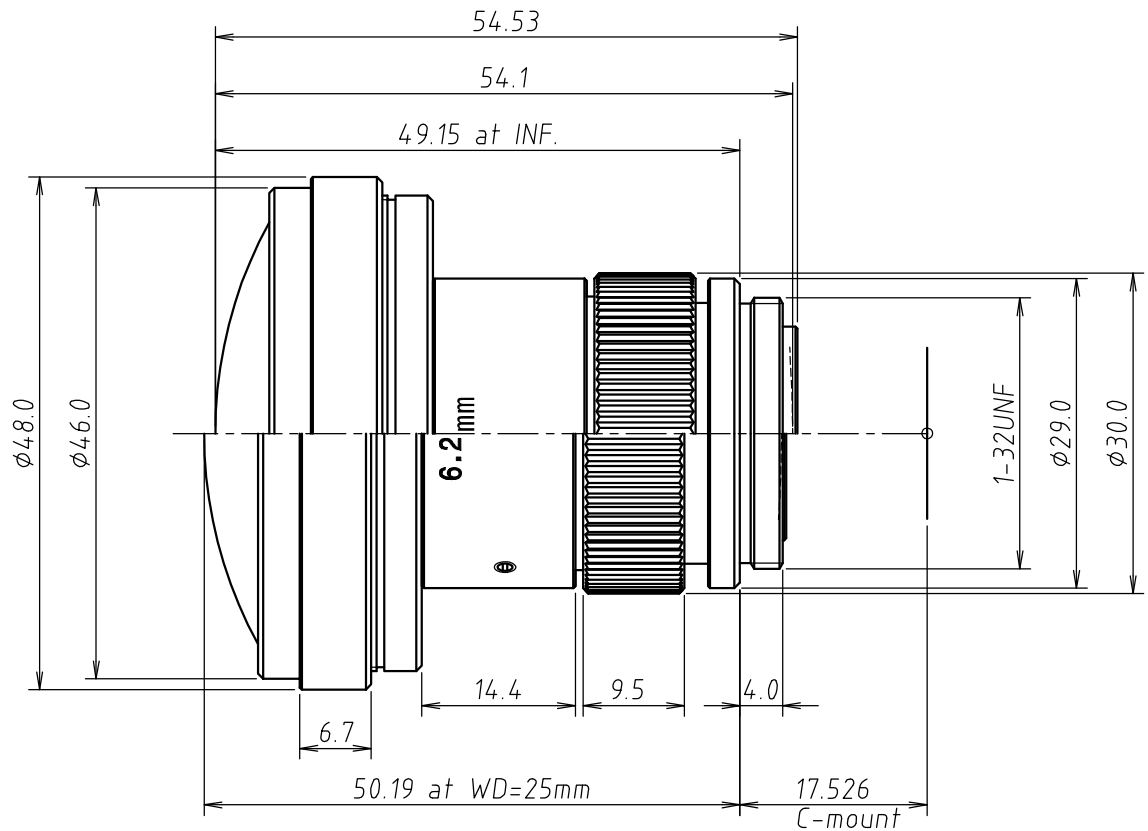


Lens Specification	
Focal length	6.2mm ±5%
Back focal length	11.98mm
Mechanical back	11.5mm(in air)
Aperture ratio	F/2.0 ±5%
Image size	1" (9.6mm×12.8mm)
Magnification	-
Distortion(fθ)	-0.1%
Angle of view at INF.	
Vertical	88.3°
Horizontal	117.8°
Diagonal	147.2°
Resolution	
Center	125LP/mm
Corner	63LP/mm
Pupil positions	
Entrance pupil	13.79mm (Front lens)
Exit pupil	-29.14mm (Image plane)
Principal points	
Object space	18.70mm (Front lens)
Image space	6.21mm (Image plane)
Coating	
All surfaces are antireflection coated.	

Angle of view at INF.			
Image size	2/3" (6.6X8.8)	1/2" (4.8X6.4)	1/3" (3.6X4.8)
Vertical	60.7°	44.1°	33.1°
Horizontal	80.9°	58.9°	44.1°
Diagonal	101.2°	73.6°	55.2°

Note:



UNIVERSE KOGAKU (AMERICA), INC.
 116 Audrey Avenue, Oyster Bay, New York 11771
 Phone: (516)624-2444/Fax: (516)624-3109

△		TITLE	6.2mm F/2.0 1" HIGH RESOLUTION LENS W/C-MOUNT	DRAWN	K.S
△		P/NO.	VX560	CHECKED	G.G
△		Mfg.NO.	VX560A-Y01-0	UOI	VX560
△	03/10/2017			SHEET	1 OF 1
				REV	A