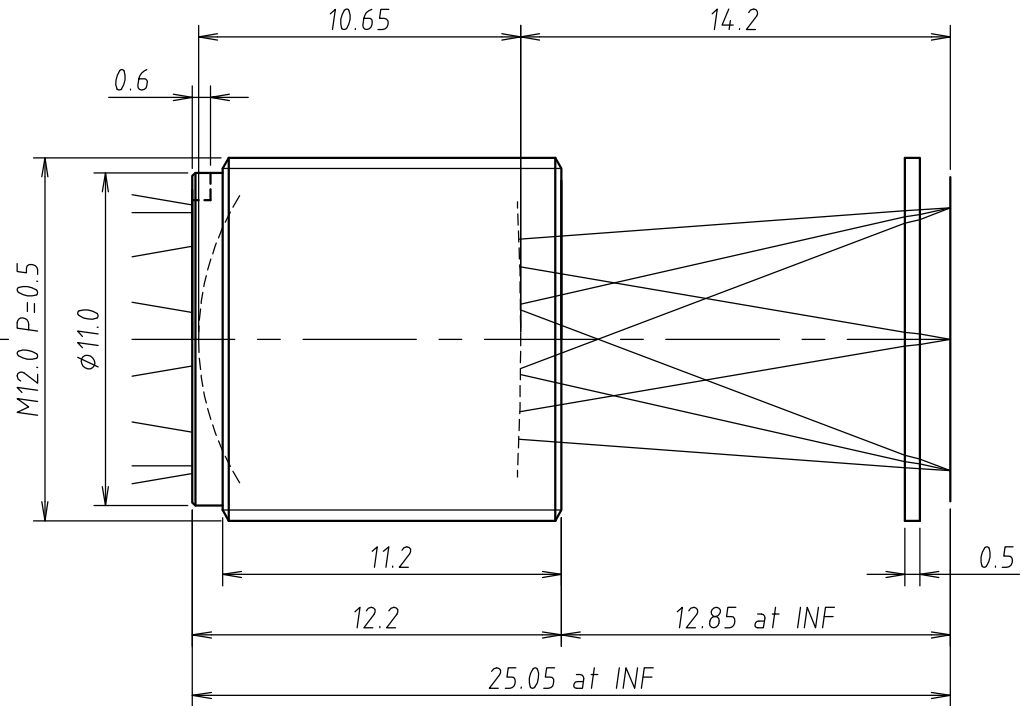
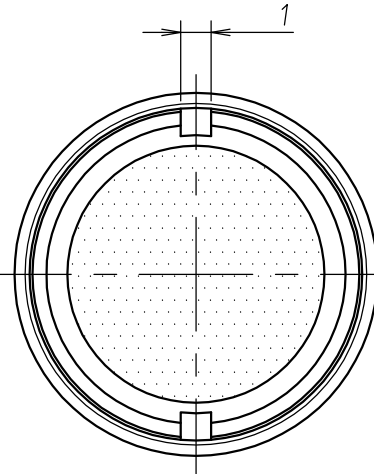


Lens Specification	
Focal length	25.0mm±5%
Back focal length	14.20mm±0.3mm at INF
Mechanical back	12.85mm±0.3mm at INF.
Aperture ratio	F/3.0 ±5%
Image size	6.79×5.43 (D:8.694)
Magnification	-
Distortion	0.82%
Angle of view at INF.	
Vertical	12.4°
Horizontal	15.4°
Diagonal	19.6°
Resolution	
Center	160LP/mm
Corner	100LP/mm
Pupil positions	
Entrance pupil	7.54mm (Front lens)
Exit pupil	-17.62mm (Image plane)
Principal points	
Object space	-2.97mm (Front lens)
Image space	-24.97mm (Image plane)
Coating (λ =550nm)	
All surfaces are antireflection coated. MgF2 single coated.	



UNIVERSE KOGAKU (AMERICA), INC.
 116 Audrey Avenue, Oyster Bay, New York 11771
 Phone: (516)624-2444/Fax: (516)624-3109

△4		TITLE	25mm F/3 CCD LENS	DRAWN	S.I.
△3		P/NO.	VX250	CHECKED	Y.M.
△2		Mfg.NO.	VX250A-Y02-0	UOI	VX250
△1	10/16/2014			SHEET	1 OF 1
				REV	A