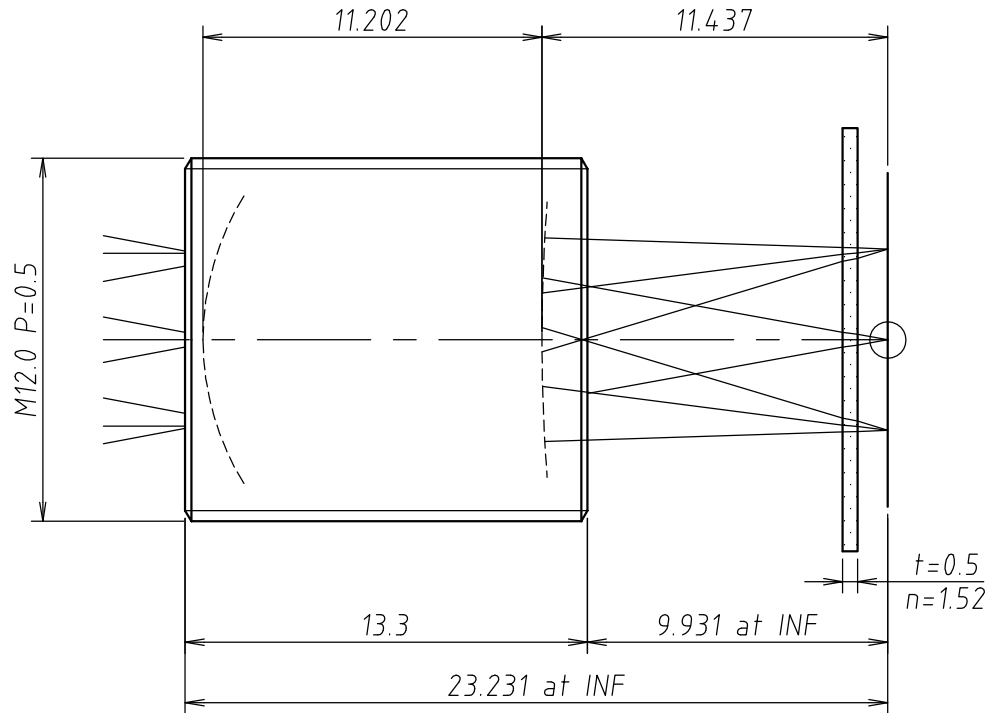
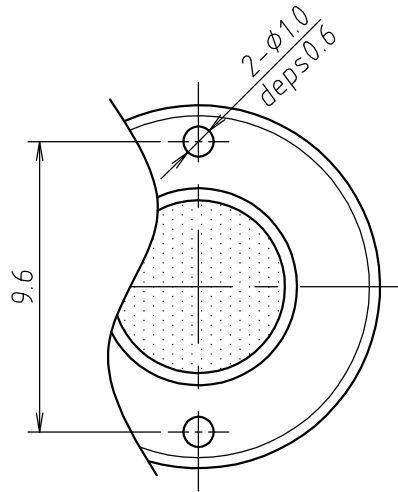


Lens Specification	
Focal length	16.0mm±5%
Back focal length	11.44mm±0.3mm at INF
Mechanical back	9.93mm±0.3mm at INF.
Aperture ratio	F/2.8 ±5%
Image size	1/3" (4.8mm×3.6mm)
Magnification	-
Distortion	-0.27%
Angle of view at INF.	
Vertical	12.9°
Horizontal	17.1°
Diagonal	21.3°
Resolution	
Center	160LP/mm
Corner	100LP/mm
Pupil positions	
Entrance pupil	-0.1mm (Front lens)
Exit pupil	-24.77mm (Image plane)
Principal points	
Object space	5.58mm (Front lens)
Image space	-15.96mm (Image plane)
Coating (λ =550nm)	
All surfaces are antireflection coated. MgF2 single coated.	



UNIVERSE KOGAKU (AMERICA), INC.

116 Audrey Avenue, Oyster Bay, New York 11771
Phone: (516)624-2444/Fax: (516)624-3109

△4		TITLE	16mm F/2.8 CCD LENS	DRAWN	S.I
△3		P/NO.	VX160	CHECKED	Y.M
△2		Mfg.NO.	VX160A-Y03-0	UOI	VX160
△1				SHEET	1 OF 1
	10/16/2014			REV	A