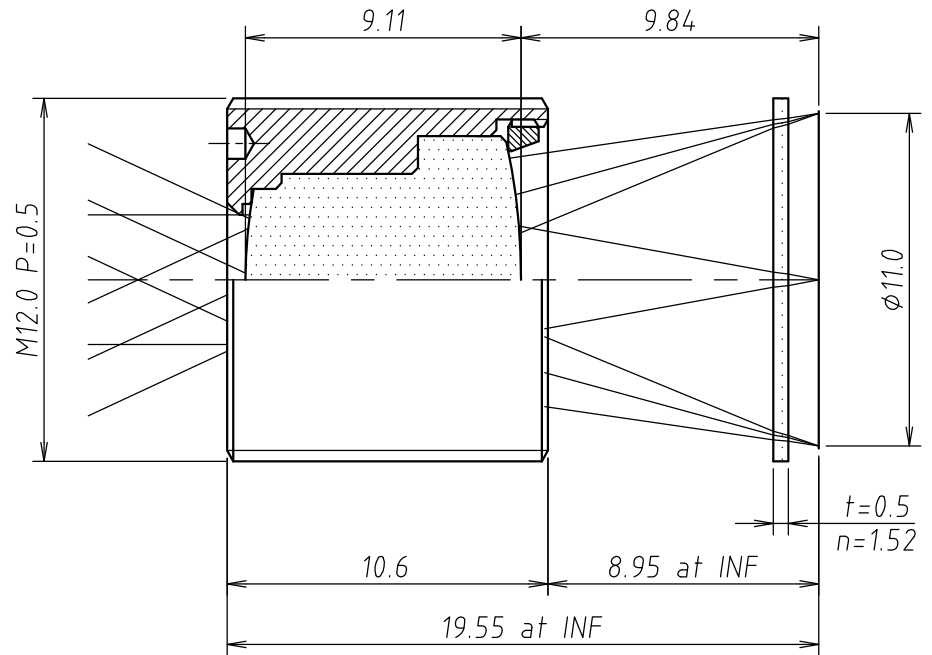
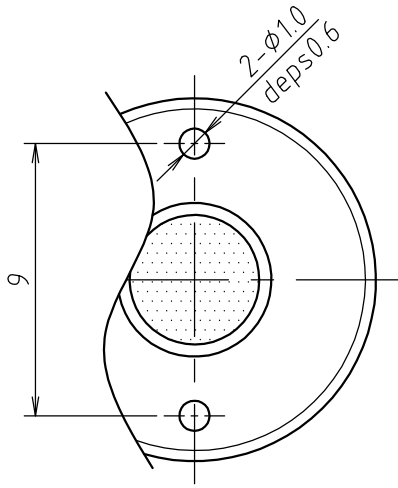


Lens Specification	
Focal length	12.00mm±5%
Back focal length	9.84mm±0.3mm at INF
Mechanical back	8.95mm±0.3mm at INF.
Aperture ratio	F/2.8 ±5%
Image size	2/3" (6.6mm×8.8mm)
Magnification	-
Distortion	-1.2%
Angle of view at INF.	
Vertical	30.9°
Horizontal	40.6°
Diagonal	49.8°
Resolution	
Center	160LP/mm
Corner	80LP/mm
Pupil positions	
Entrance pupil	-0.1mm (Front lens)
Exit pupil	-21.379mm (Image plane)
Principal points	
Object space	5.168mm (Front lens)
Image space	-11.987mm (Image plane)
Coating (λ =550nm)	
All surfaces are antireflection coated. MgF2 single coated.	



Angle of view at INF.			
Image size	1/2" (4.8X6.4)	1/3" (3.6X4.8)	1/4" (2.7X3.6)
Vertical	22.7°	17.1°	12.9°
Horizontal	30.0°	22.7°	17.1°
Diagonal	37.2°	28.2°	21.3°

NOTE:

△		
△		
△		
△		
	05/02/2012	

		<b>UNIVERSE KOGAKU (AMERICA), INC.</b> 116 Audrey Avenue, Oyster Bay, New York 11771 Phone: (516)624-2444/Fax: (516)624-3109	
TITLE		12.0mm F/2.8 CCD LENS	
P/NO.		VX120	
Mfg.NO.	VX120A-Y01-0	SHEET	1 OF 1
		REV	A