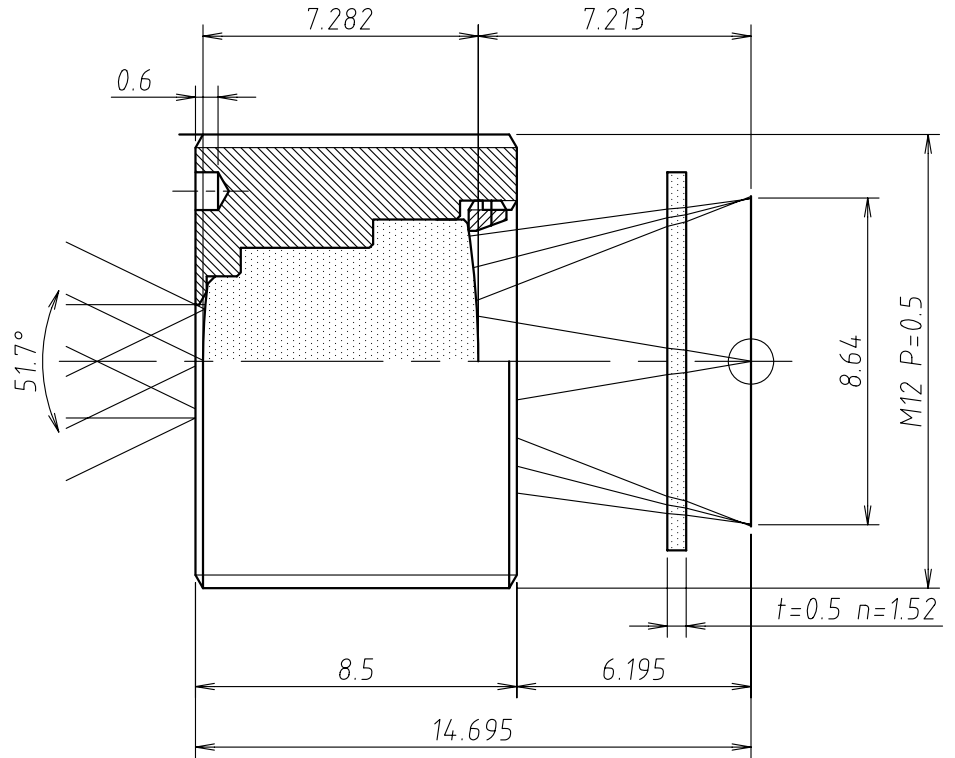
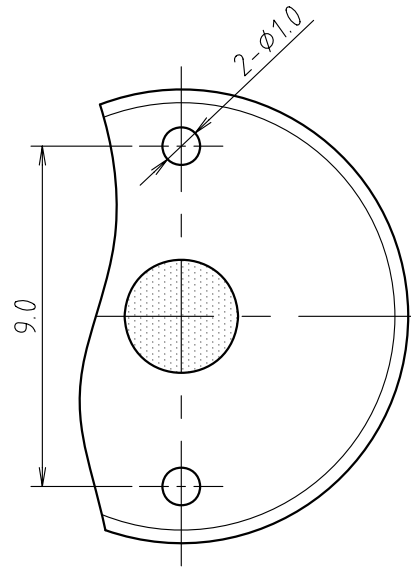


Lens Specification	
Focal length	9.024mm±5%
Back focal length	7.213mm±0.3mm at INF.
Mechanical back	6.195mm±0.3mm at INF.
Aperture ratio	F/3.0 ±5%
Image size	1/1.8" (5.2mm×6.9mm)
Magnification	-
Distortion	-1.1%
Angle of view at INF.	
Vertical	32.3°
Horizontal	42.2°
Diagonal	51.7°
Resolution	
Center	160LP/mm
Corner	80LP/mm
Pupil positions	
Entrance pupil	-0.1mm (Front lens)
Exit pupil	-16.998mm (Image plane)
Principal points	
Object space	4.136mm (Front lens)
Image space	-9.015mm (Image plane)
Coating (λ = 550nm)	
All surfaces are antireflection coated. MgF2 single coated.	



Angle of view at INF.			
Image size	1/2" (4.8X6.4)	1/3" (3.6X4.8)	1/4" (2.7X3.6)
Vertical	29.9°	22.6°	17.1°
Horizontal	39.4°	29.9°	22.6°
Diagonal	48.3°	37.0°	28.1°

NOTE:

△					
△					
△					
△					
	03/09/2011			Mfg.NO. VX090C-Y01-0	SHEET 1 OF 1 REV A



UNIVERSE KOGAKU (AMERICA), INC.

116 Audrey Avenue, Oyster Bay, New York 11771
Phone: (516)624-2444/Fax: (516)624-3109

TITLE
9.0mm F/3 CCD LENS

P/NO.
VX090M12