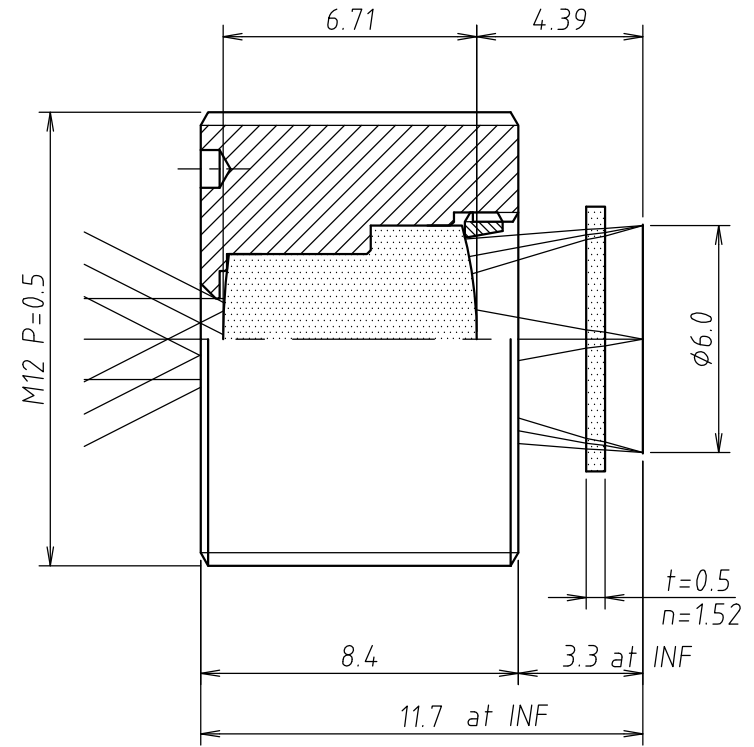
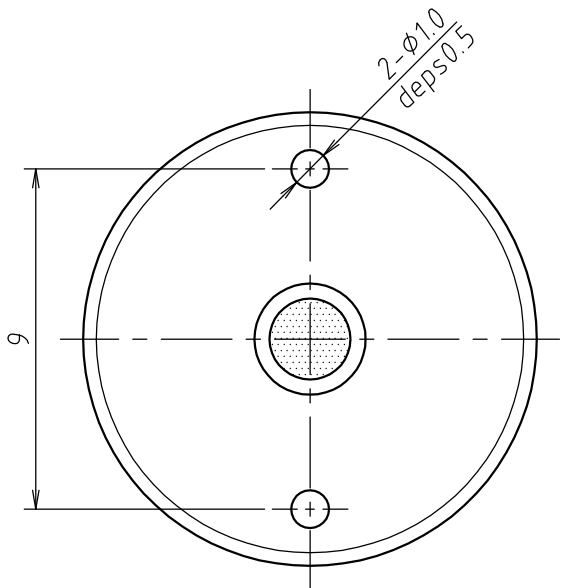


Lens Specification	
Focal length	6.00mm±5%
Back focal length	4.39mm±0.3mm at INF
Mechanical back	3.30mm±0.3mm at INF.
Aperture ratio	F/2.8 ±5%
Image size	1/3" (3.6mm×4.8mm)
Magnification	-
Distortion	-1.6%
Angle of view at INF.	
Vertical	33.6°
Horizontal	44.1°
Diagonal	53.8°
Resolution	
Center	160LP/mm
Corner	80LP/mm
Pupil positions	
Entrance pupil	-0.1mm (Front lens)
Exit pupil	-17.93mm (Image plane)
Principal points	
Object space	3.90mm (Front lens)
Image space	-5.99mm (Image plane)
Coating (λ = 550nm)	
All surfaces are antireflection coated. MgF2 single coated.	



Angle of view at INF.			
Image size	1/2" (4.8X6.4)	1/3" (3.6X4.8)	1/4" (2.7X3.6)
Vertical			25.5°
Horizontal			33.6°
Diagonal			41.5°

NOTE:

△		
△		
△		
△		
	12/05/2012	

		UNIVERSE KOGAKU (AMERICA), INC. 116 Audrey Avenue, Oyster Bay, New York 11771 Phone: (516)624-2444/Fax: (516)624-3109	
TITLE		6.0mm F/2.8 CCD LENS	
P/NO.		VX060M12	
Mfg.NO.	VX060B-Y01-0	SHEET 1 OF 1	REV A