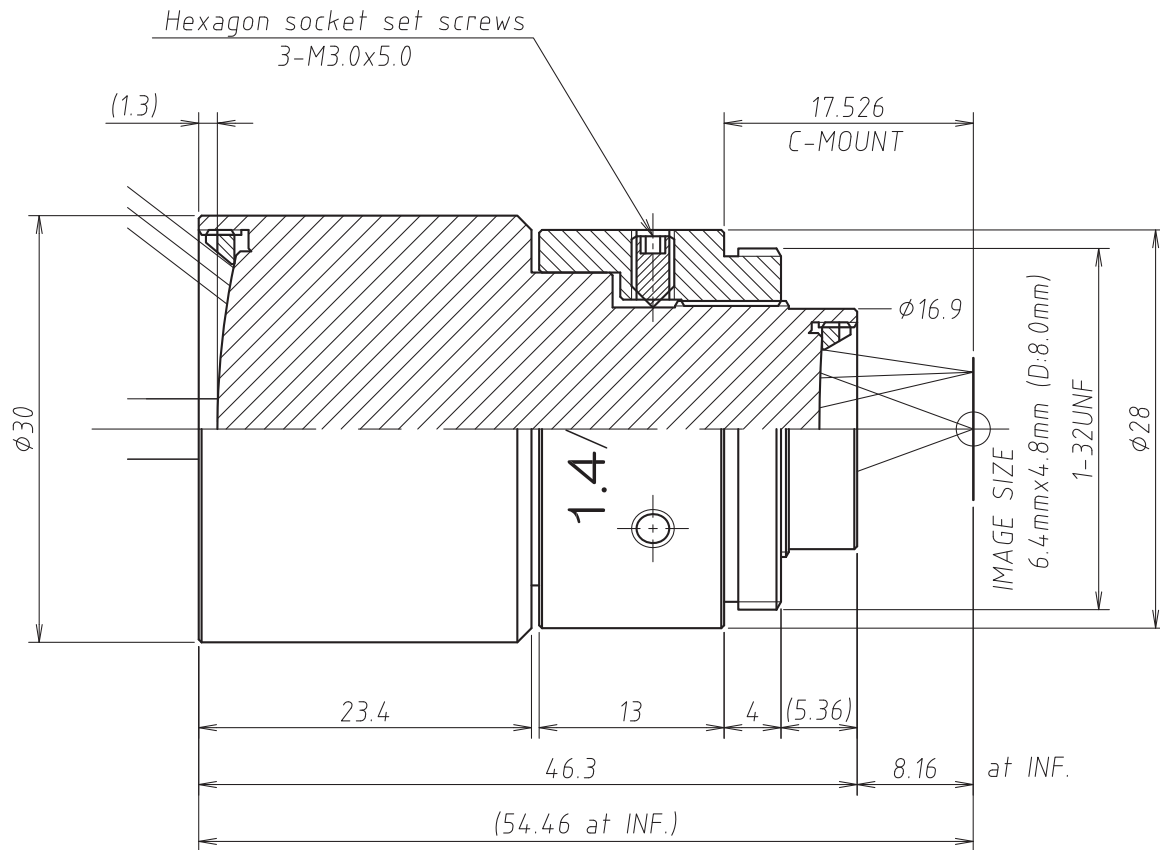
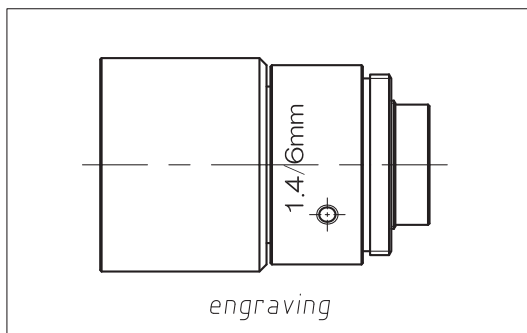


Lens Specification	
Focal length	6.09mm ±5%
Back focal length	10.82mm ±5%
Mechanical back	17.526mm(C-MOUNT)
Aperture ratio	F/1.4 ±5%
Image size	1/2" (4.8mmX6.4mm)
Magnification	-
Distortion	-14.04%
Angle of view at INF.	
Vertical	45.2°
Horizontal	60.1°
Diagonal	74.9°
Resolution (With Glass t=3mm)	
Center	100LP/mm
Corner	80LP/mm
Pupil positions	
Entrance pupil	11.54mm (Front lens)
Exit pupil	34.94mm (Image plane)
Principal points	
Object space	18.69mm (Front lens)
Image space	-6.04mm (Image plane)
Coating (λ=546nm)	
All surfaces are antireflection coated. MgF2 single coated.	

Note:



UNIVERSE KOGAKU (AMERICA), INC.
116 Audrey Avenue, Oyster Bay, New York 11771
Phone: (516)624-2444/Fax: (516)624-3109

△		TITLE	6mm F/1.4 CCD LENS
△		P/NO.	VT060
△		Mfg.NO.	VT060A-Y01-0
	02/08/2011		SHEET 1 OF 1 REV A