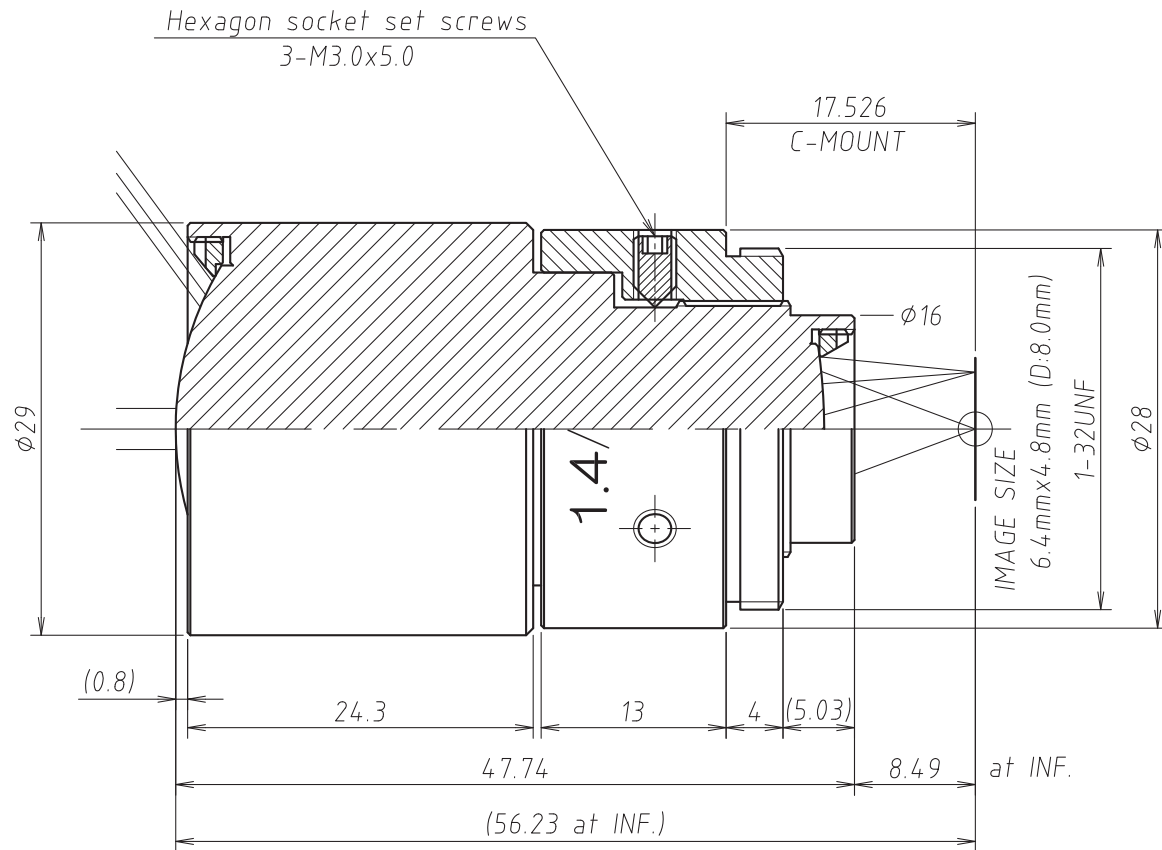
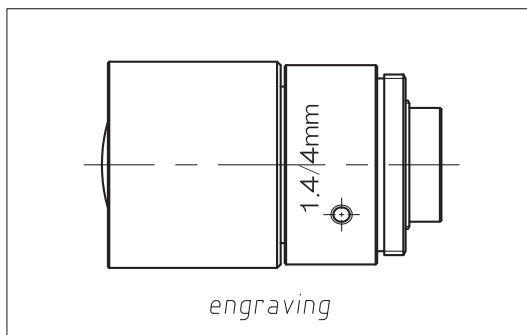


Lens Specification	
Focal length	4.10mm ±5%
Back focal length	10.63mm ±5%
Mechanical back	17.526mm(C-MOUNT)
Aperture ratio	F/1.4 ±5%
Image size	1/2" (4.8mmX6.4mm)
Magnification	-
Distortion	-28.33%
Angle of view at INF.	
Vertical	66.3°
Horizontal	87.4°
Diagonal	107.5°
Resolution (With Glass t=3mm)	
Center	100LP/mm
Corner	80LP/mm
Pupil positions	
Entrance pupil	9.44mm (Front lens)
Exit pupil	76.87mm (Image plane)
Principal points	
Object space	13.75mm (Front lens)
Image space	-4.05mm (Image plane)
Coating (λ=546nm)	
All surfaces are antireflection coated. MgF2 single coated.	

Note:



**UNIVERSE KOGAKU (AMERICA), INC.**

116 Audrey Avenue, Oyster Bay, New York 11771  
Phone: (516)624-2444/Fax: (516)624-3109

△		TITLE	4mm F/1.4 CCD LENS
△		P/NO.	VT040
△		Mfg.NO.	VT040A-Y01-0
	02/08/2011		SHEET 1 OF 1 REV A