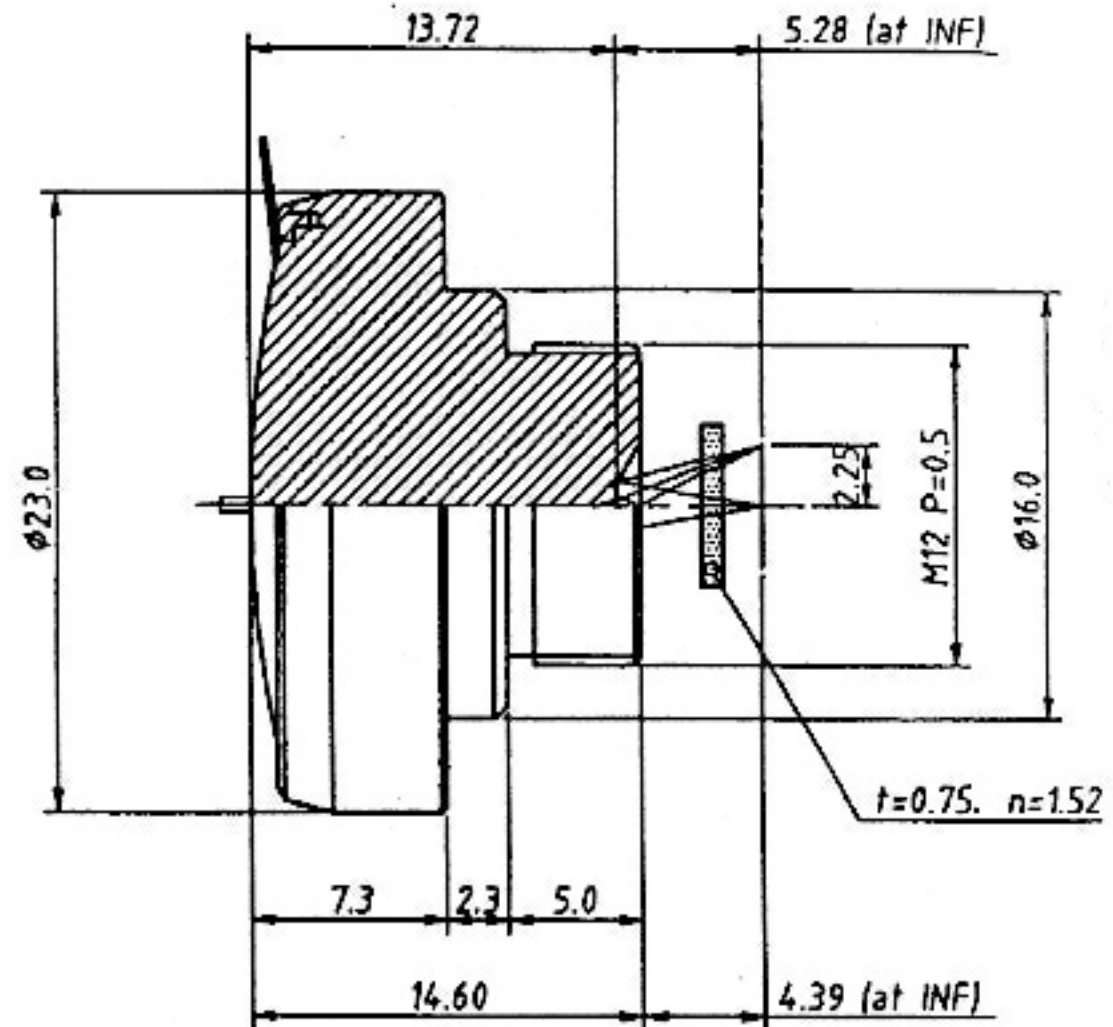


Lens Specification	
Focal length	1.50 mm ( $\pm 5\%$ )
Back focal length	5.03 mm (in Air)
Mechanical back	4.14 mm (in Air)
Aperture ratio	F/2.7
Image size	2.7 x 3.6 x 4.5 (1/4")
Magnification	
Distortion	-80.7 %
Angle of view at INF.	
Vertical	98.1 °
Horizontal	130 °
Diagonal	165.1 °
Resolution	
Center	80 LP/mm
Corner	25 LP/mm
Pupil positions from the lens surface.	
Entrance pupil	5.96 mm (Front lens)
Exit pupil	-5.02 mm (Image plane)
Principal points from the lens surface.	
Object space	7.01 mm (Front lens)
Image space	-1.6 mm (Image plane)
Coating	nothing.



UNIVERSE KOGAKU (AMERICA), INC.  
 116 Audrey Avenue, Oyster Bay, New York 11771  
 Phone: (516) 624-2444/Fax: (516) 624-3109

4		TITLE	1.5mm F/2.7 CCD LENS
3		P/NO.	VP611
2		Mfg. NO.	
1	1/21/04	SHEET 1 OF 1	REV A