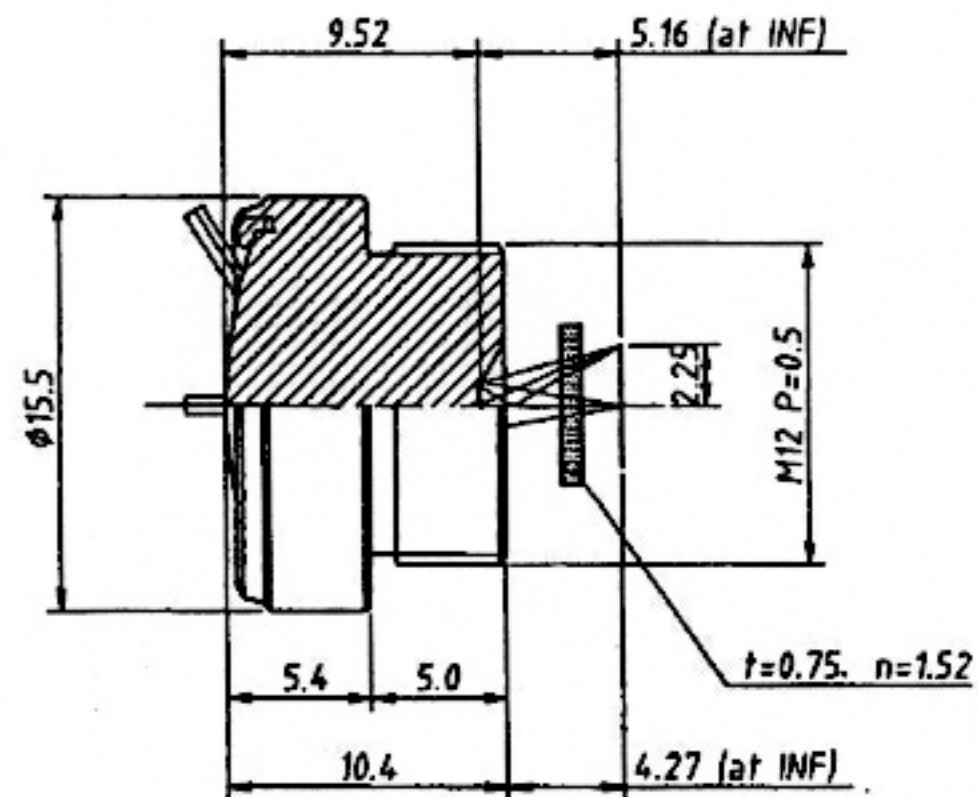


Lens Specification	
Focal length	1.84 mm (± 5%)
Back focal length	4.90 mm (in Air)
Mechanical back	4.01 mm (in Air)
Aperture ratio	F/2.6
Image size	2.7×3.6×4.5 (1/4")
Magnification	
Distortion	-25.2 %
Angle of view at INF.	
Vertical	76.8 °
Horizontal	97.7 °
Diagonal	116.5 °
Resolution	
Center	100 LP/mm
Corner	40 LP/mm
Pupil positions from the lens surface.	
Entrance pupil	3.35 mm (Front lens)
Exit pupil	-4.90 mm (Image plane)
Principal points from the lens surface.	
Object space	4.48 mm (Front lens)
Image space	-1.90 mm (Image plane)
Coating	nothing.



UNIVERSE KOGAKU (AMERICA), INC.
 116 Audrey Avenue, Oyster Bay, New York 11771
 Phone: (516) 624-2444/Fax: (516) 624-3109

4			TITLE	1.84mm F/2.6 CCD LENS	
3			P/NO.	VP601	
2			Mfg. NO.		
1					
	1/21/04			SHEET 1 OF 1	REV A