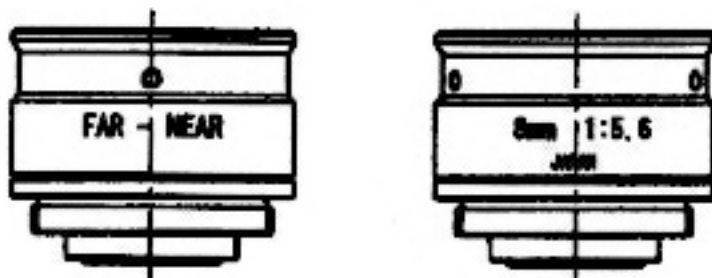
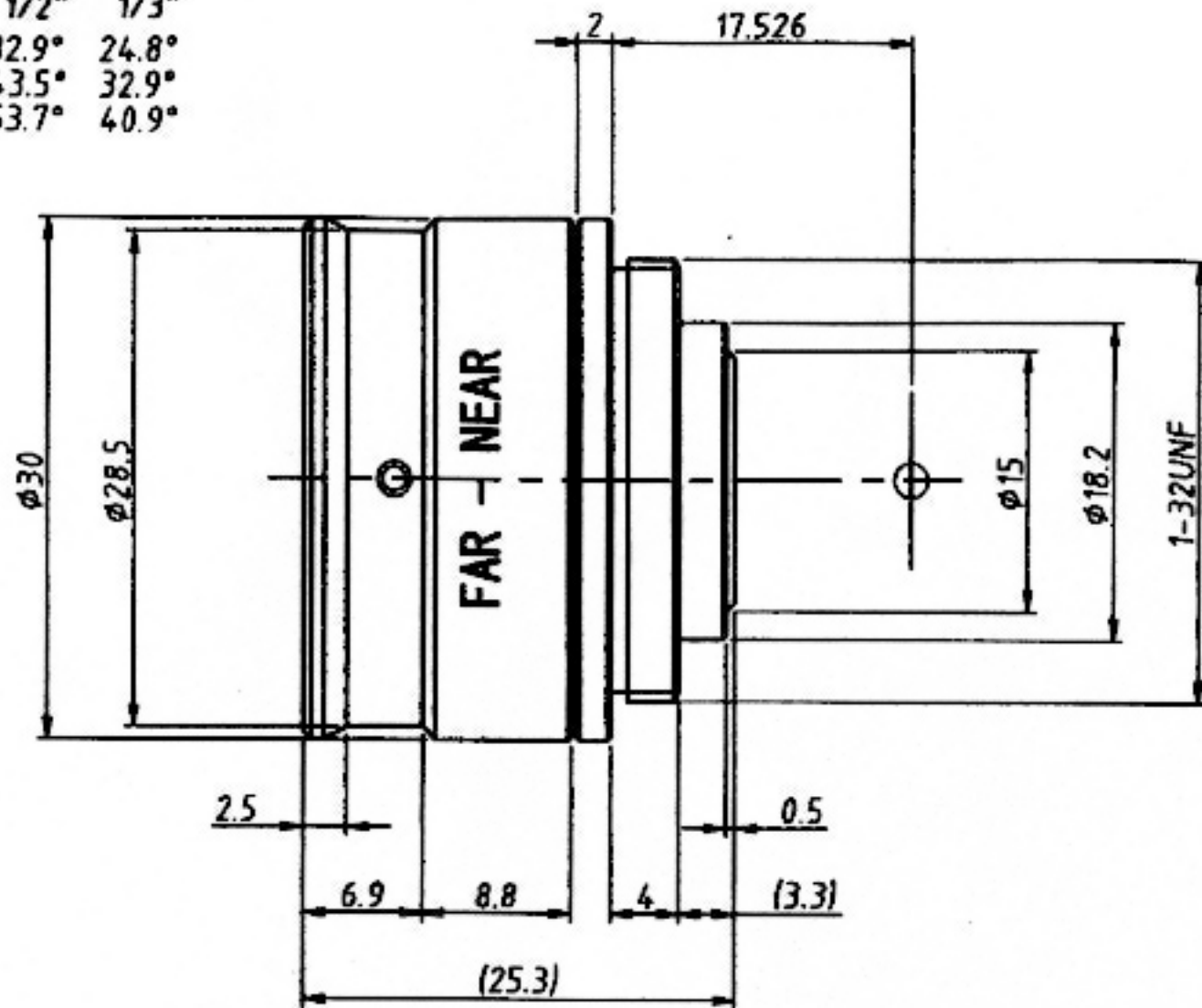


| Lens Specification | |
|--|----------------------|
| Focal length | 8.34mm±5% (587nm) |
| Back focal length | 10.57mm±5% |
| Mechanical back | 17.526mm (C-MOUNT) |
| Aperture ratio | F/5.6 |
| Image size | 2/3" CCD (6.6×8.8) |
| Magnification | - |
| Distortion | -7.9% |
| Angle of view at INF. | |
| Vertical | 44.8° |
| Horizontal | 58.7° |
| Diagonal | 71.6° |
| Resolution | |
| Center | 100LP/mm |
| Corner | 40LP/mm |
| Pupil positions from the lens surface. | |
| Entrance pupil | 5.45mm (Front lens) |
| Exit pupil | -11.28mm (Rear lens) |
| Principal points from the lens surface. | |
| Object space | 10.61mm (Front lens) |
| Image space | -2.23mm (Rear lens) |
| Coating (λ=546nm) | |
| All surfaces are antireflection coated. MgF2 single coated. | |

NOTE : Angle of view
 1/2" 1/3"
 Vertical 32.9° 24.8°
 Horizontal 43.5° 32.9°
 Diagonal 53.7° 40.9°



UNIVERSE KOGAKU (AMERICA), INC.
 116 Audrey Avenue, Oyster Bay, New York 11771
 Phone: (516) 624-2444/Fax: (516) 624-3109

| | | |
|---|---------|--|
| 4 | | |
| 3 | | |
| 2 | | |
| 1 | | |
| | 3/18/03 | |

| | | |
|----------|-----------------------------|------------|
| TITLE | 8mm F/5.6 CCTV LENS W/MACRO | |
| P/NO. | VLM-8M5.6 | |
| Mfg. NO. | | |
| | SHEET 1 | OF 1 REV A |