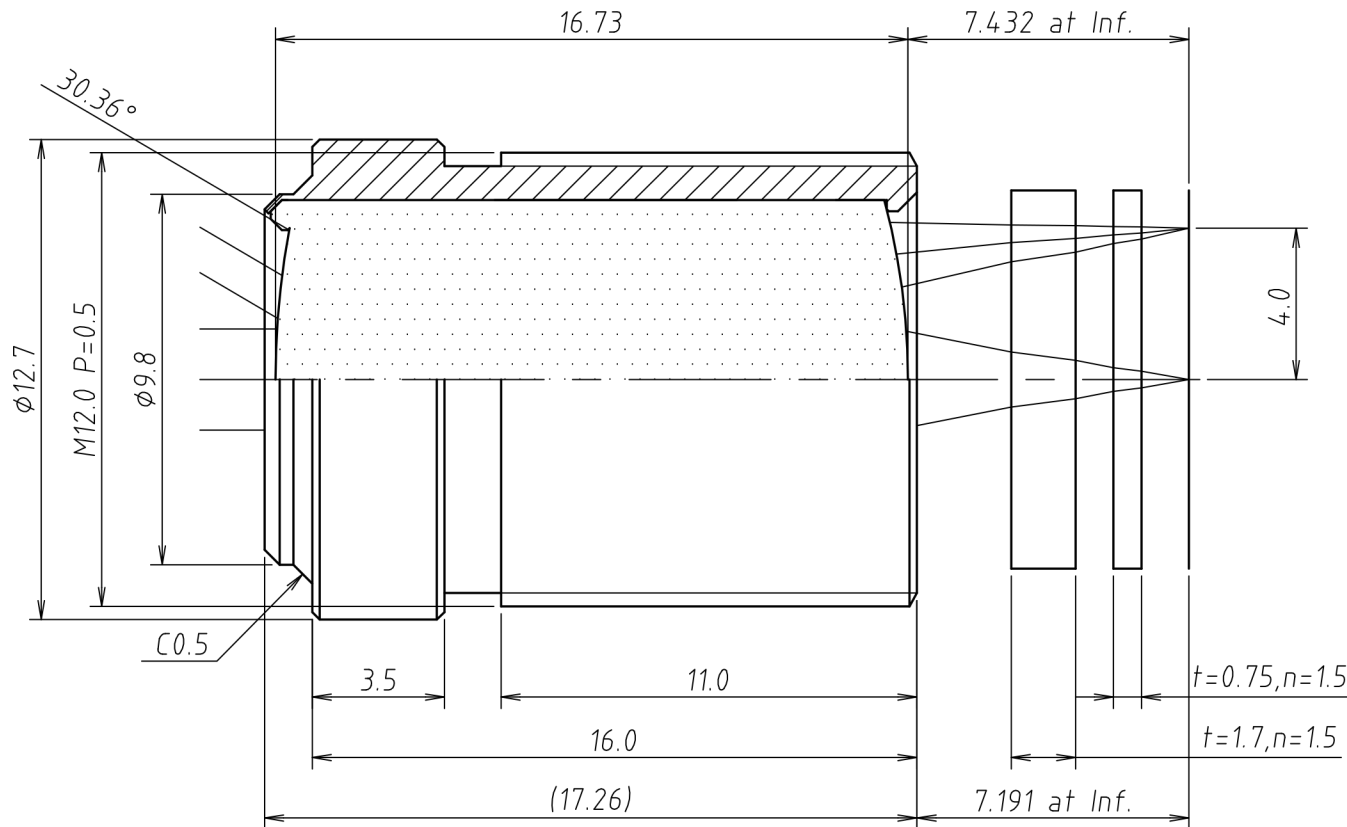


Lens Specification

Focal length	7.030mm±5%
Back focal length	7.432mm±5% at INF
Mechanical back	7.191mm±0.3mm at INF.
Aperture ratio	F/2.6 ±5%
Image size	1/2" (4.8mm×6.4mm)
Magnification	-
Distortion	-3.1%
Angle of view at INF.	
Vertical	38.1°
Horizontal	49.8°
Diagonal	60.7°
Resolution	
Center	80LP/mm
Corner (0.35D)	40LP/mm
Pupil positions	
Entrance pupil	5.468mm (Front lens)
Exit pupil	-22.224mm (Image plane)
Principal points	
Object space	10.285mm (Front lens)
Image space	-7.033mm (Image plane)
Coating (λ = 546nm)	
All surfaces are antireflection coated. MgF2 single coated.	

Note:

Angle of view	1/2.7"	1/3"
Vertical	: 32.0°	29.0°
Horizontal	: 41.8°	38.0°
Diagonal	: 51.5°	47.0°



UNIVERSE KOGAKU (AMERICA), INC.

116 Audrey Avenue, Oyster Bay, New York 11771
Phone: (516)624-2444/Fax: (516)624-3109

4		TITLE	7.0mm F/2.6 CCD LENS	DRAWN	I.S
3		P/NO.	VL-7040CL	CHECKED	Y.M
2		Mfg.NO.	VS701A-Y02-0	UOI	VL-7040CL
1	06/24/2014			SHEET	1 OF 1
				REV	A