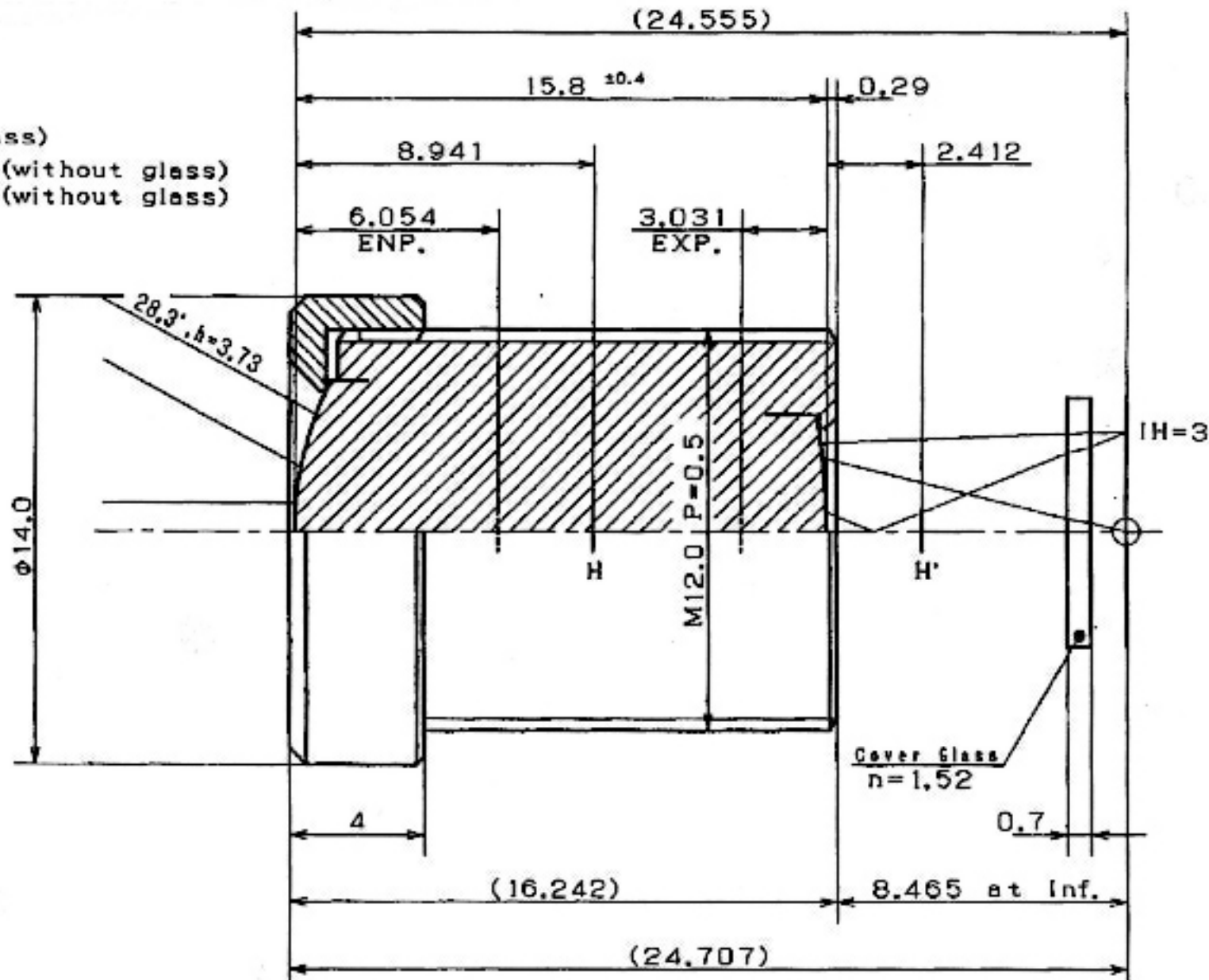


Lens Specification

- Focal length : 6.139mm±5%
- Back focal : 8.551mm±5% (without glass)
- Mechanical back: 8.336mm±0.3mm at 50cm (without glass)
8.261mm±0.3mm at INF. (without glass)
- Aperture ratio : F/2.0 ±5%
- Lens elements : 4groups 4elements
- Angle of view
 - Image to object distance = Infinity
 - Diagonal : 56.6°
 - Horizontal : 45.1°
 - Vertical : 33.8°
 - Image to object distance = 50cm
 - Diagonal : 51.5cm
 - Horizontal : 39.7cm
 - Vertical : 29.0cm
- Aperture of front lens : φ8.4
- Aperture of rear lens : φ6.2
- Resolution : Center 80LP/mm (Min.)
Corner 25LP/mm (Min.)
- TV Distortion : -2.99%
- Coating : All surfaces are antireflection coated.
(MgF₂ single coat)
(λ=550nm)



UNIVERSE KOGAKU (AMERICA), INC.

116 AUDREY AVENUE, OYSTER BAY, NEW YORK 11771
PHONE: (516) 624-2444 FAX: (516) 624-3109

TITLE

6.2mm F/2.0 CCD LENS

DATE

06/27/97

SCALE

None

NO.

VL-6220

DRAWN

APPROVED