

Lens Specification

Focal length : 2.778mm±5%
 Back focal : 5.379mm±5%
 Mechanical back: 5.16mm±0.3mm at INF. (with Glass)
 5.18mm±0.3mm at 50cm (with Glass)
 Aperture ratio : F/1.88 ±5%

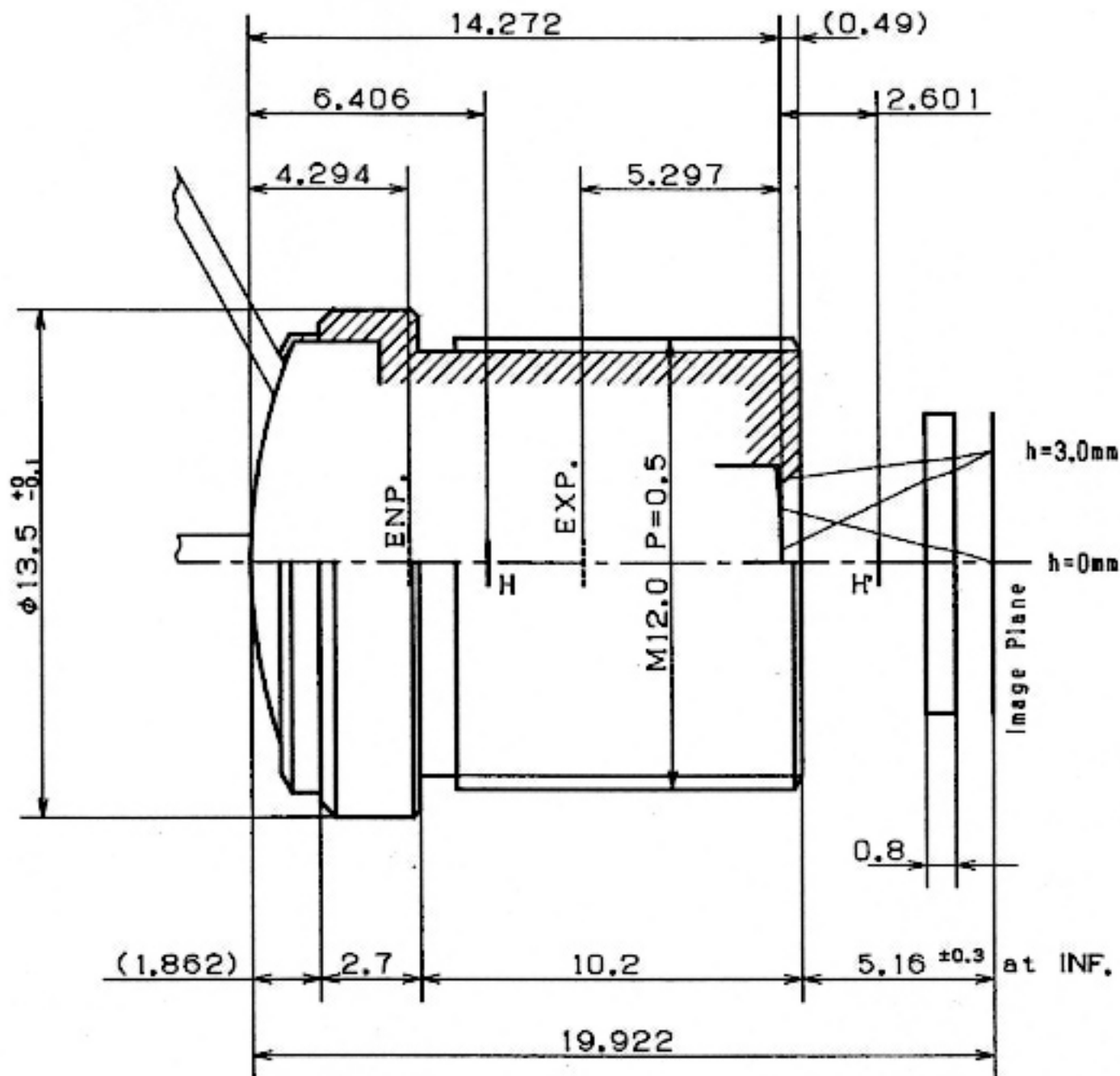
CCD Size Diagonal : 6.0mm
 Horizontal : 4.8mm
 Vertical : 3.6mm

Angle of view
 Image to object distance = Infinity
 Diagonal : 121.3°
 Horizontal : 96.9°
 Vertical : 72.1°

Image to object distance = 50cm
 Diagonal : 172.2cm
 Horizontal : 109.3cm
 Vertical : 71.2cm

Aperture of front lens : φ11.0
 Aperture of rear lens : φ 4.4

Coating : All surfaces are antireflection coated, (MgF₂ single coat) (λ=550nm)



UNIVERSE KOGAKU (AMERICA), INC.

116 AUDREY AVENUE, OYSTER BAY, NEW YORK 11771
 PHONE: (516) 624-2444 FAX: (516) 624-3109

TITLE

2.8mm F/1.8 CCD LENS

DATE

8/8/95

SCALE

None

NO.

VL-2818

DRAWN

APPROVED