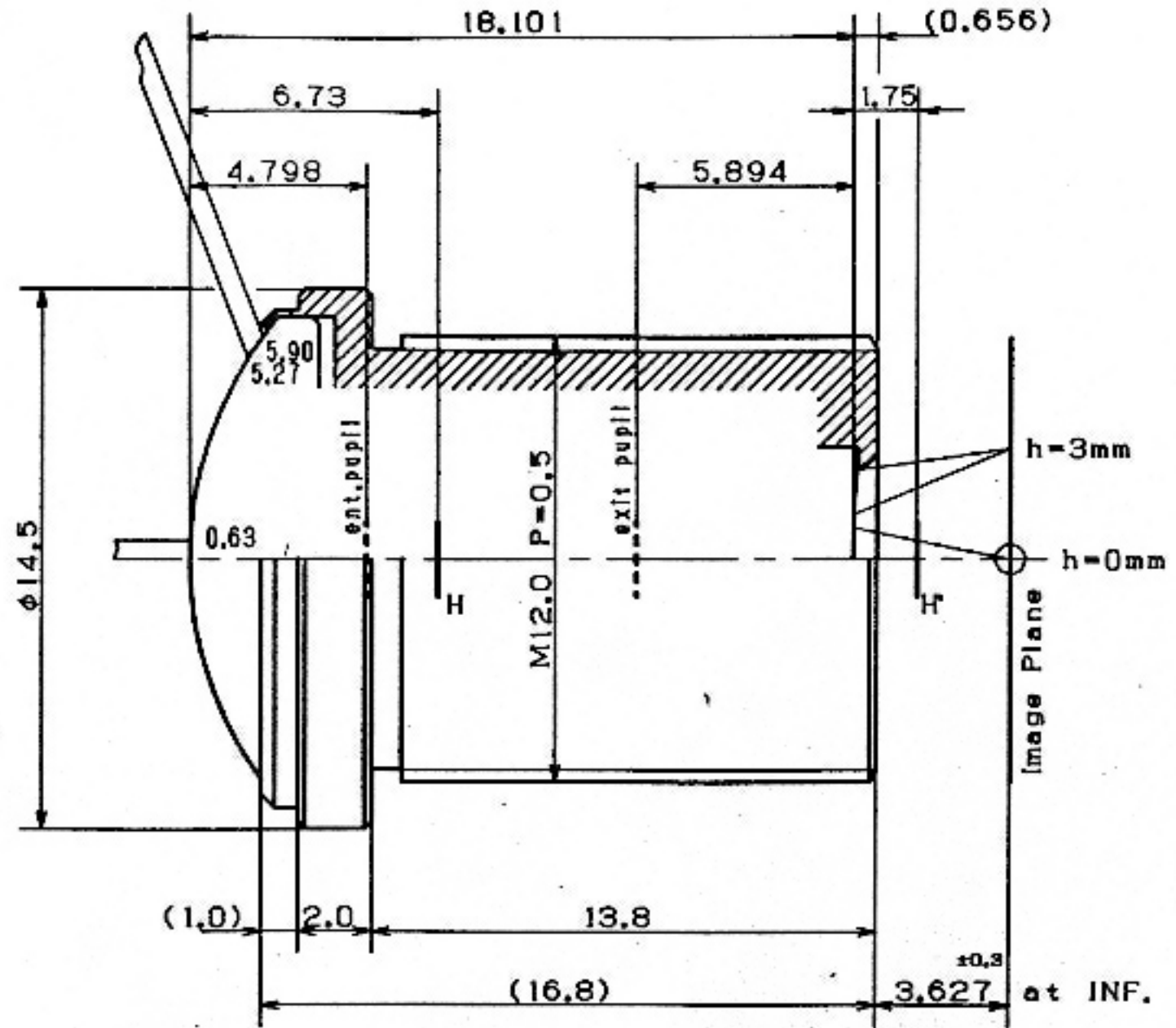


Lens Specification

Focal length : 2.536mm±5%
Back focal : 4.283mm±5%
Mechanical back: 3.641mm±0.3mm at 50cm
 3.627mm±0.3mm at INF.
Aperture ratio : F/2.0 ±5%
Angle of view
 Image to object distance = Infinity
 Diagonal : 137.3°
 Horizontal : 109.3°
 Vertical : 82.2°
 Image to object distance = 50cm
 Diagonal : 246.8cm
 Horizontal : 136.0cm
 Vertical : 84.2cm
Aperture of front lens : φ12.4
Aperture of rear lens : φ5.0
Coating : All surfaces are antireflection coated.
 (MgF₂ single coat)
 (λ=550nm)



UNIVERSE KOGAKU (AMERICA), INC.
 118 Audrey Avenue, Oyster Bay, New York 11771
 Phone: (516) 624-2444/Fax: (516) 624-3109

④		TITLE	2.5mm F/2.0 CCD (1/3") LENS	
③		P/NO.	VL-2520	
②		Mfg. NO.		
①	4/30/03		SHEET 1 OF 1	REV A