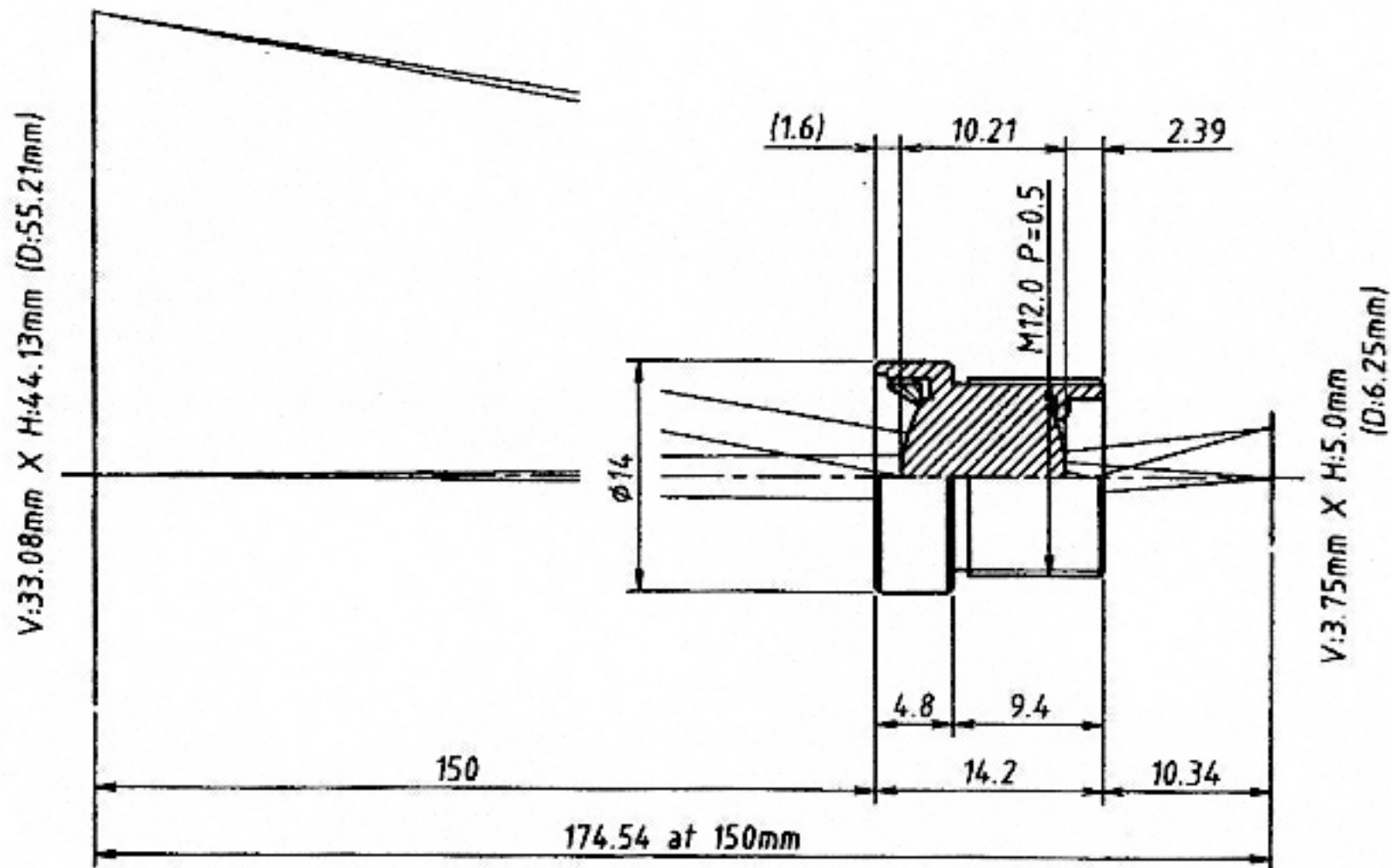


Lens Specification $\lambda = 650\text{nm}$

Focal length	16.00mm $\pm 5\%$
Back focal length	12.73mm at 150mm
Mechanical back	10.34mm $\pm 0.3\text{mm}$
Aperture ratio	F/5.6 $\pm 5\%$
Image size	3.75mm X 5.0mm
Magnification	-0.11x
Distortion	-0.23% (IH=3.125mm)
Angle of view at 150mm	
Vertical	11.82°, 33.08mm
Horizontal	15.72°, 44.13mm
Diagonal	19.60°, 55.21mm
Resolution	
Center	125LP/mm
Corner	100LP/mm
Pupil positions from the lens surface.	
Entrance pupil	8.24mm (Front lens)
Exit pupil	-15.48mm (Image plane)
Principal points from the lens surface.	
Object space	5.49mm (Front lens)
Image space	-17.83mm (Image plane)
Coating ($\lambda = 546\text{nm}$)	
All surfaces are antireflection coated. MgF2 single coated.	



UNIVERSE KOGAKU (AMERICA), INC.
115 Audrey Avenue, Oyster Bay, New York 11771
Phone: (516) 624-2444/Fax: (516) 624-3109

④		TITLE	16mm F/5.6 CCD LENS
③		P/NO.	VL-1656
②		Mfg. NO.	
①	7/26/02		
		SHEET 1 OF 1	REV A