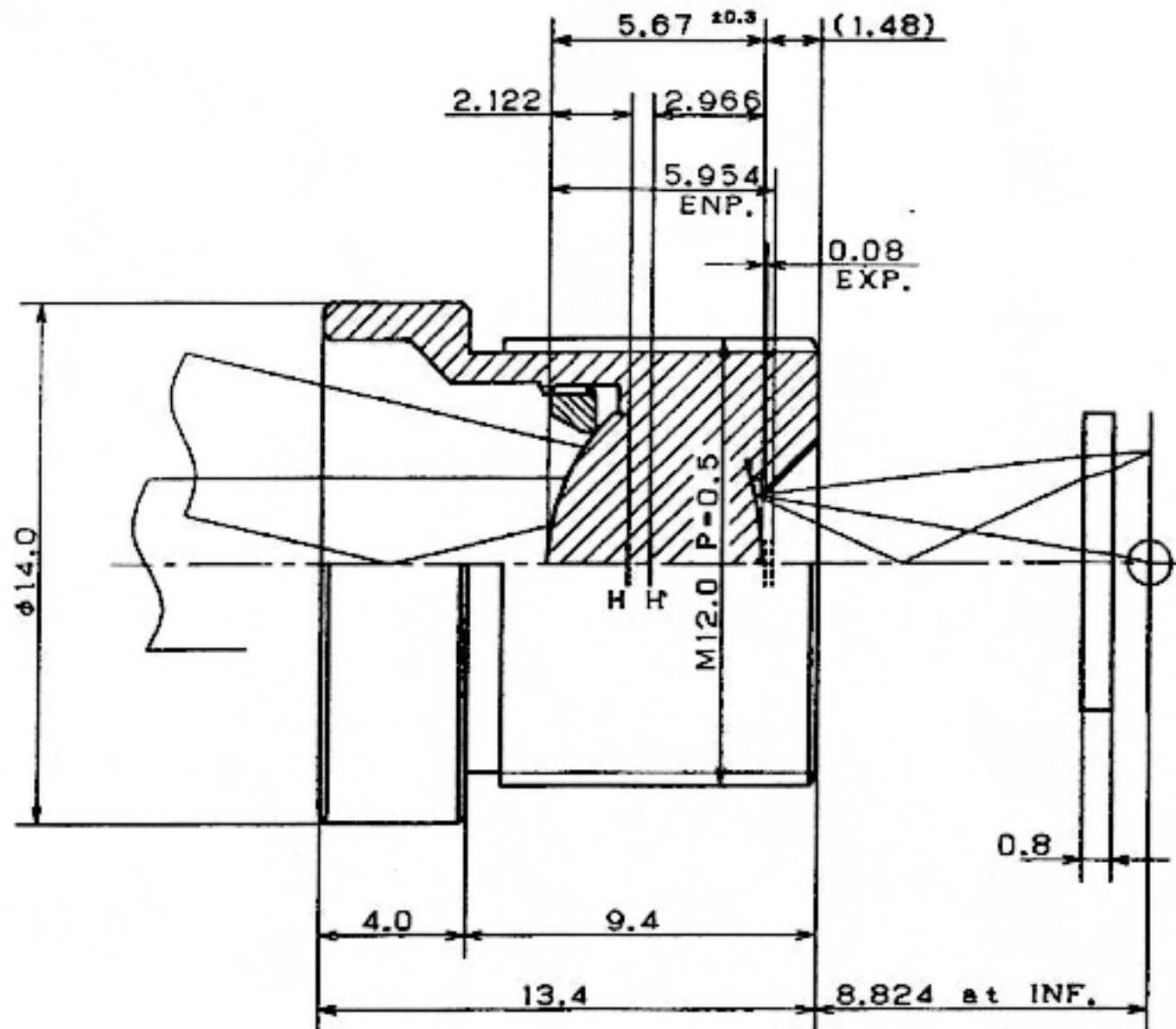


Lens Specification

Focal length : 13.000mm±5%
 Back focal : 10.034mm±5% (without glass)
 Mechanical back: 9.165mm±0.3mm at 50cm
 8.824mm±0.3mm at INF.
 Aperture ratio : F/2.8 ±5%
 CCD size : 1/3" CCD (4.8mmX3.6mm)
 Angle of view
 Image to object distance = Infinity
 Diagonal : 26.12°
 Horizontal : 21.00°
 Vertical : 15.81°
 Image to object distance = 50cm
 Diagonal : 22.7cm
 Horizontal : 18.1cm
 Vertical : 13.6cm
 Aperture of front lens : $\phi 7.0$
 Aperture of rear lens : $\phi 3.7$
 Coating : All surfaces are antireflection coated.
 (MgF₂ single coat)
 ($\lambda=550\text{nm}$)



UNIVERSE KOGAKU (AMERICA), INC.

116 AUDREY AVENUE, OYSTER BAY, NEW YORK 11771
 PHONE: (516) 624-2444 FAX: (516) 624-3109

TITLE

13mm F/2.8 CCD LENS

DATE

11/12/98

SCALE

None

NO.

VL-1328

DRAWN

APPROVED