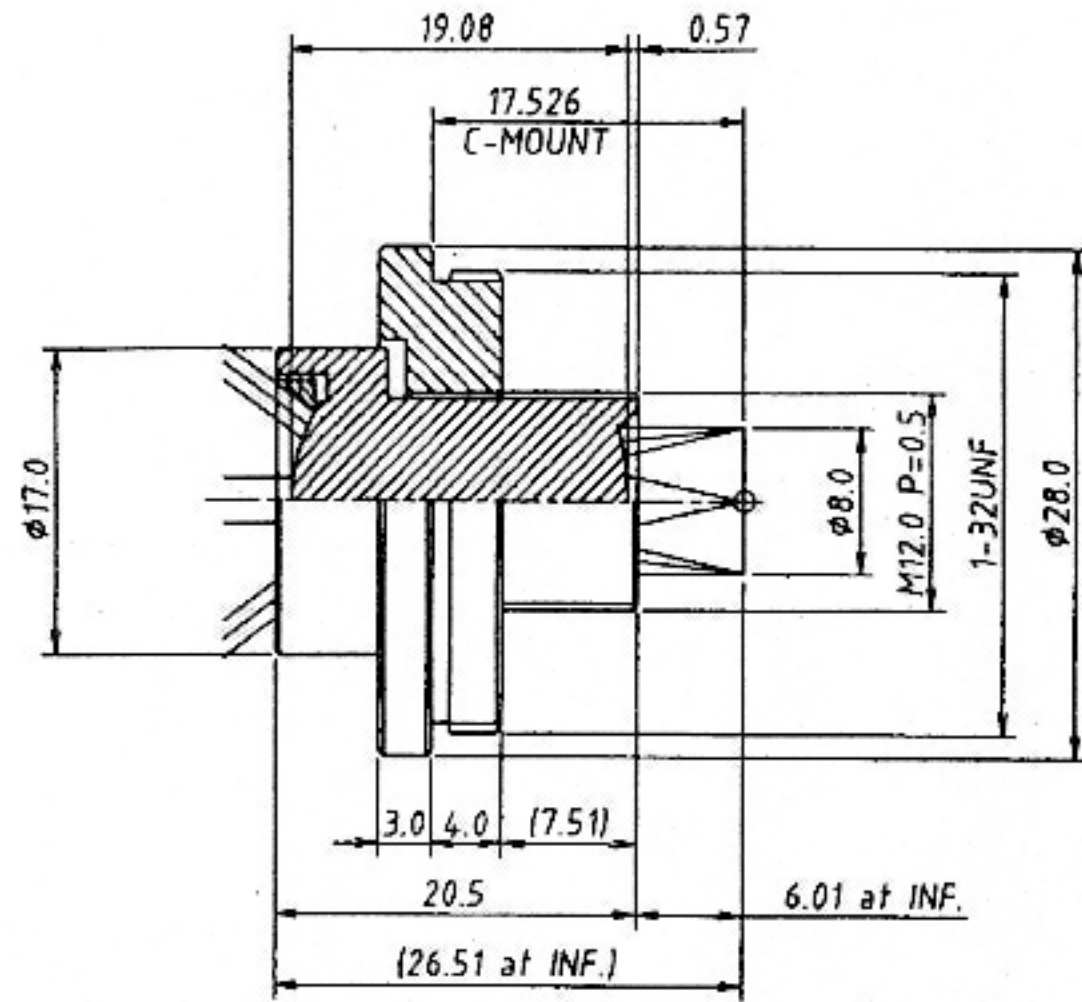


| Lens Specification | |
|--|------------------------|
| Focal length | 6.00mm±5% |
| Back focal length | 6.58mm±5% |
| Mechanical back | 6.01mm±0.3mm |
| Aperture ratio | F/2.4 |
| Image size | 1/2" CCD (4.8X6.4) |
| Magnification | - |
| Distortion | -9.0% |
| Angle of view at INF. | |
| Vertical | 45.0° |
| Horizontal | 59.1° |
| Diagonal | 72.5° |
| Resolution | |
| Center | 200LP/mm |
| Corner | 80LP/mm |
| Pupil positions from the lens surface. | |
| Entrance pupil | 6.46mm (Front lens) |
| Exit pupil | -26.22mm (Image plane) |
| Principal points from the lens surface. | |
| Object space | 11.08mm (Front lens) |
| Image space | -6.00mm (Image plane) |
| Coating (λ=546nm) | |
| All surfaces are antireflection coated. MgF2 single coated. | |



UNIVERSE KOGAKU (AMERICA), INC.
110 Audrey Avenue, Oyster Bay, New York 11771
Phone: (516) 624-2444/Fax: (516) 624-3109

| | | | |
|---|----------|--------------|------------------------------------|
| 4 | | TITLE | 6mm F/2.4 HIGH RESOLUTION CCD LENS |
| 3 | | P/NO. | VH060D |
| 2 | | Mfg. NO. | |
| 1 | 04/21/08 | SHEET 1 OF 1 | REV A |