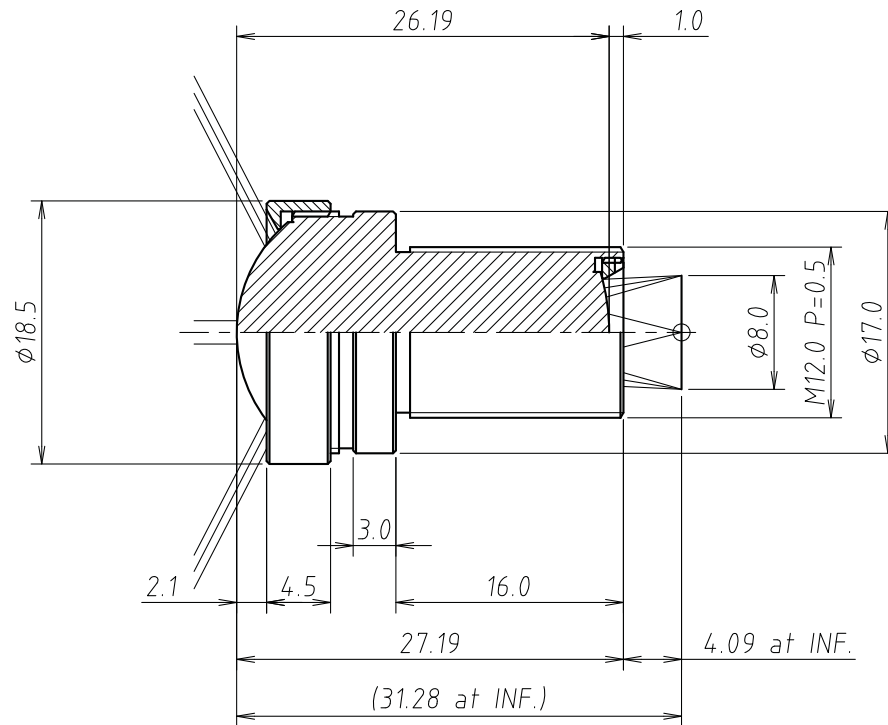


Lens Specification	
Focal length	3.31mm ±5%
Back focal length	5.09mm ±5%
Mechanical back	4.09mm ±0.3mm
Aperture ratio	F/2 ±5%
Image size	1/2" CCD (4.8X6.4)
Magnification	-
Distortion	-37.5%
Angle of view at INF.	
Vertical	80.5°
Horizontal	104.3°
Diagonal	125.3°
Resolution	
Center	200LP/mm
Corner	80LP/mm
Pupil positions	
Entrance pupil	6.07mm (Front lens)
Exit pupil	-23.05mm (Image plane)
Principal points	
Object space	8.92mm (Front lens)
Image space	-3.31mm (Image plane)
Coating (λ=546nm)	
All surfaces are antireflection coated. MgF2 single coated.	

Note:



UNIVERSE KOGAKU (AMERICA), INC.

116 Audrey Avenue, Oyster Bay, New York 11771
Phone: (516)624-2444/Fax: (516)624-3109

\triangle		TITLE	3mm F/2 HIGH RESOLUTION CCD LENS
\triangle		P/NO.	VH030D
\triangle	09/09/2009	Mfg.NO.	VH032B-Y01-0
		SHEET 1 OF 1	REV A