

Lens Specification

Focal length	16.0mm±5% (at 300nm)
Back focal length	11.64mm±5%
Mechanical back	10.09mm
Aperture ratio	F/2.8
Image size	1/2" (4.8mmx6.4mm)
Magnification	-
Distortion	-2.9%
Angle of view at INF.	
Vertical	17.2°
Horizontal	23.0°
Diagonal	28.9°
Resolution	
Center	LP/mm
Corner	LP/mm
Pupil positions	
Entrance pupil	15.53mm (Front lens)
Exit pupil	-18.04mm (Image plane)
Principal points	
Object space	17.34mm (Front lens)
Image space	-16.0mm (Image plane)
Coating (λ=300nm)	
All surfaces are antireflection coated. MgF2 single coated.	

Note:

Image size: 1/3" (3.6mmx4.8mm)

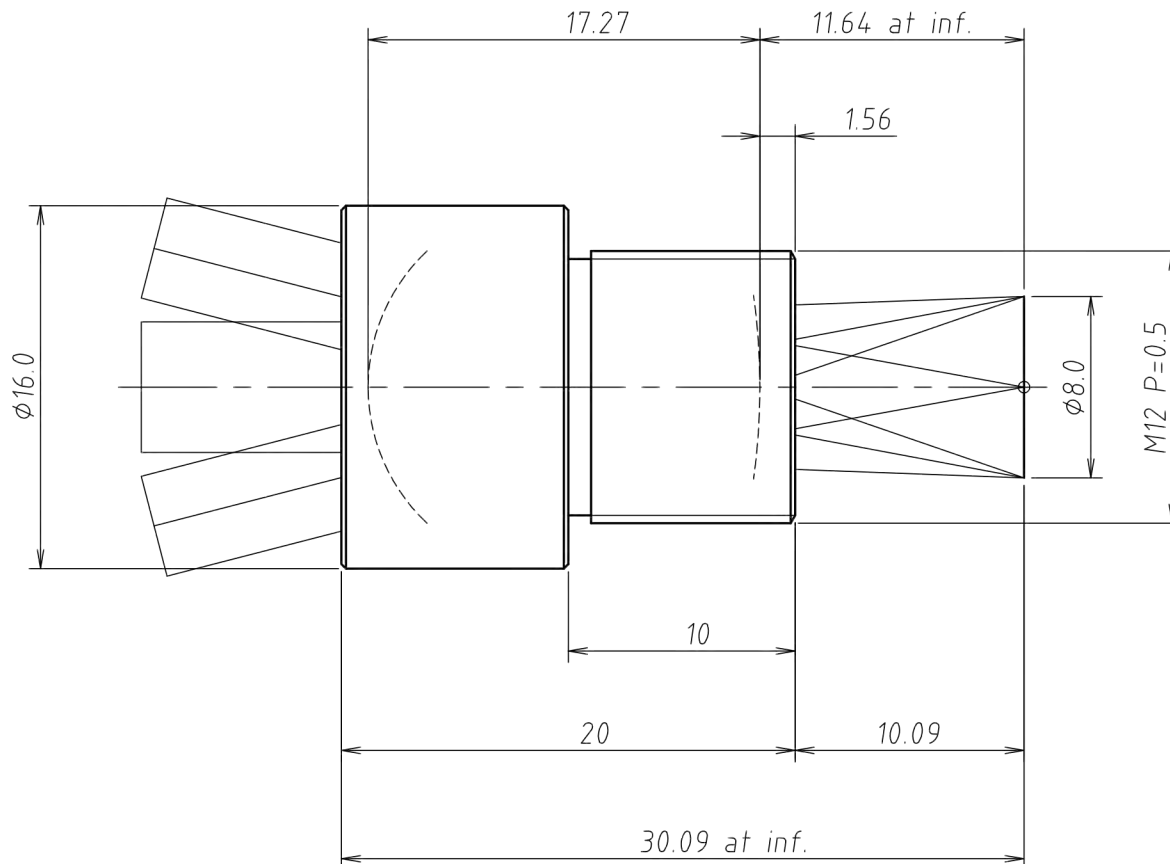
Distortion: -1.8%

Angle of view at INF.

Vertical: 12.9°

Horizontal: 17.2°

Diagonal: 21.6°



UNIVERSE KOGAKU (AMERICA), INC.

116 Audrey Avenue, Oyster Bay, New York 11771

Phone: (516)624-2444/Fax: (516)624-3109

△4		TITLE	16mm F/2.8 UV LENS	DRAWN	M.M
△3		P/NO.	UVS1628	CHECKED	H.K
△2		Mfg.NO.	VN130A-Y01	UOI	UVS1628
△1				SHEET	1 OF 1
	11/27/2014			REV	A