

Lens Specification

Focal length	12.0mm±5% (at 300nm)
Back focal length	11.68mm±5%
Mechanical back	10.15mm
Aperture ratio	F/2.8
Image size	1/2" (4.8mmx6.4mm)
Magnification	-
Distortion	-6.8%
Angle of view at INF.	
Vertical	23.2°
Horizontal	31.2°
Diagonal	39.3°
Resolution	
Center	LP/mm
Corner	LP/mm
Pupil positions	
Entrance pupil	12.36mm (Front lens)
Exit pupil	-20.28mm (Image plane)
Principal points	
Object space	17.26mm (Front lens)
Image space	-12.0mm (Image plane)
Coating (λ=300nm)	
All surfaces are antireflection coated. MgF2 single coated.	

Note:

Image size: 1/3" (3.6mmx4.8mm)

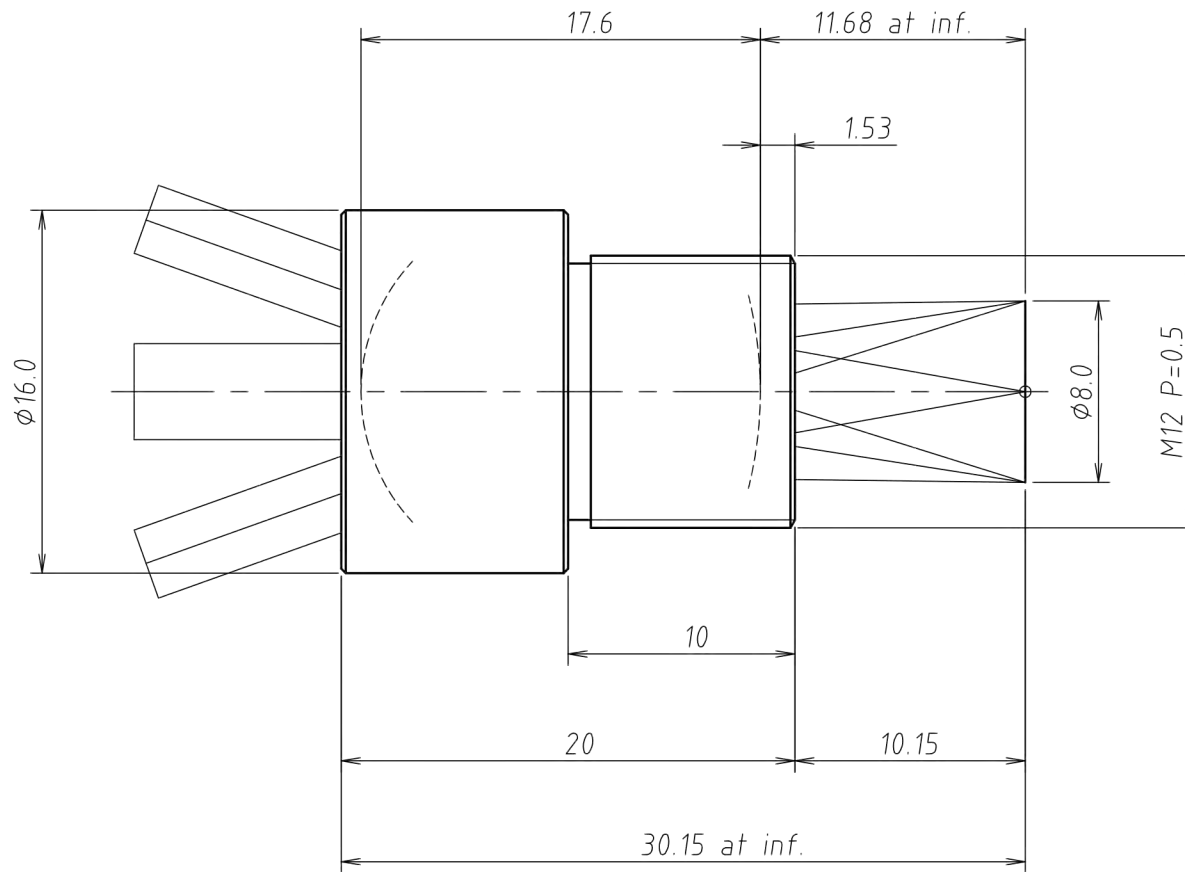
Distortion: -3.8%

Angle of view at INF.

Vertical: 17.3°

Horizontal: 23.2°

Diagonal: 29.1°



UNIVERSE KOGAKU (AMERICA), INC.

116 Audrey Avenue, Oyster Bay, New York 11771

Phone: (516)624-2444/Fax: (516)624-3109

④		TITLE	12mm F/2.8 UV LENS	DRAWN	M.M
③		P/NO.	UVS1228	CHECKED	H.K
②		Mfg.NO.	VN120A-Y01	UOI	UVS1228
①	11/26/2014			SHEET	1 OF 1
				REV	A