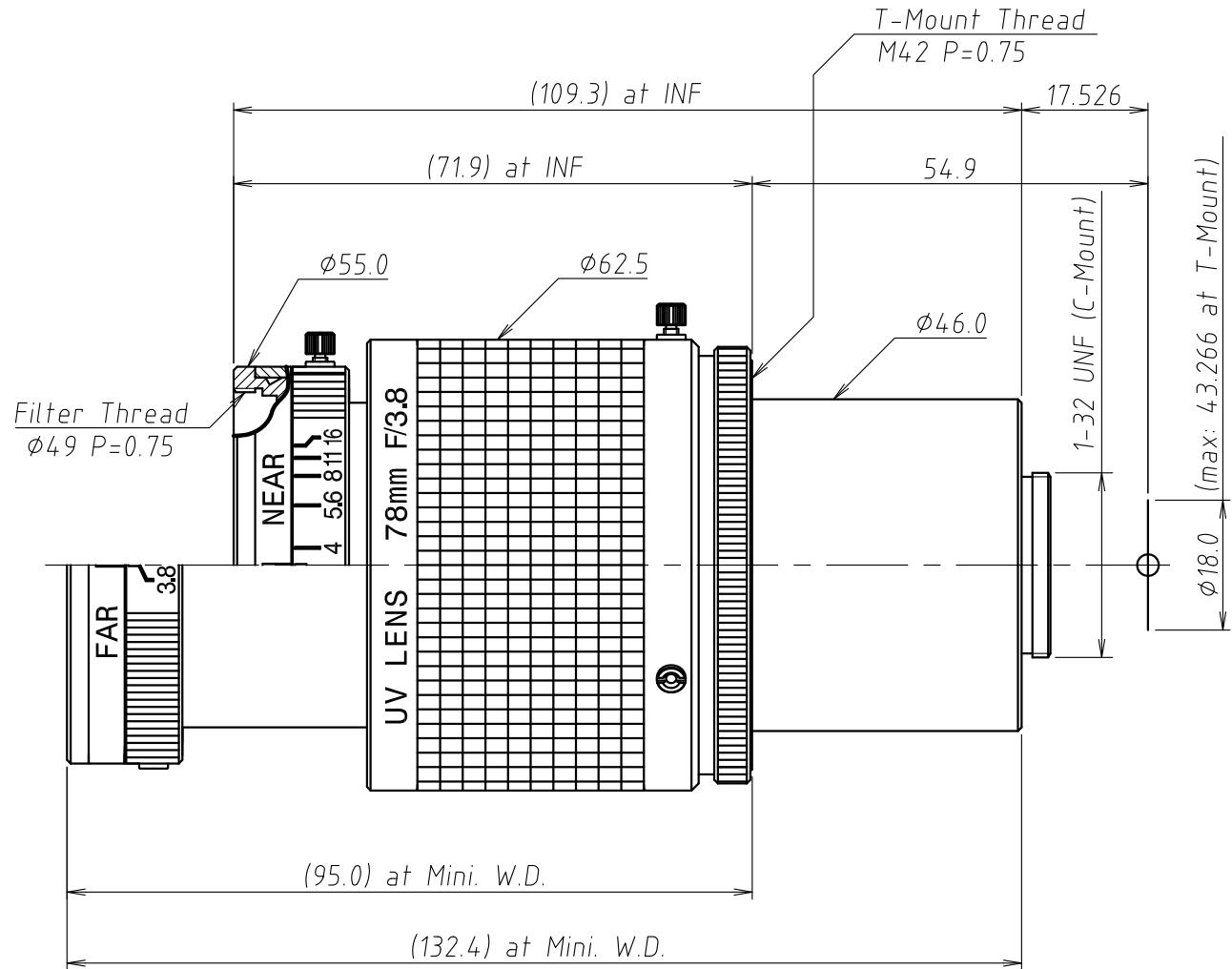


Lens Specification	
Focal length	77.55mm (at $\lambda = 250\text{nm}$ )
Back focal length	71.31 mm
Mechanical back	13.53 mm
Aperture ratio	F/3.8 ~ F/16
Image size	$\phi 18.0\text{mm}$ (max $\phi 43.266$ )
Magnification	
Distortion	-0.27 %
Angle of view at INF.	
Vertical	$^{\circ}$
Horizontal	
Diagonal	13.3 $^{\circ}$
Resolution	
Center	
Corner	
Pupil positions	
Entrance pupil	18.01 mm (Front lens)
Exit pupil	-78.75 mm (Image plane)
Principal points	
Object space	19.20 mm (Front lens)
Image space	-77.55 mm (Image plane)
Coating ( $\lambda = 250\text{nm}$ )	
All surfaces are antireflection coated. MgF2 single coated.	

Note:

- Mini. Working Dist.  
288.7mm (at  $\lambda = 250\text{nm}$ )  
368.5mm (at  $\lambda = 300\text{nm}$ )  
431.1mm (at  $\lambda = 350\text{nm}$ )  
471.5mm (at  $\lambda = 390\text{nm}$ )
- Mount  
C-Mount & T-Mount



UNIVERSE KOGAKU (AMERICA), INC.

116 Audrey Avenue, Oyster Bay, New York 11771  
Phone: (516)624-2444/Fax: (516)624-3109

$\triangle$		TITLE	78mm F/3.8 UV LENS	DRAWN	M.M.
$\triangle$		P/NO.	UV8040BK2	CHECKED	H.K.
$\triangle$		Mfg.NO.	VC774A-Y01	UOI	UV8040BK2
$\triangle$				SHEET	1 OF 1
	07/28/2014			REV	A