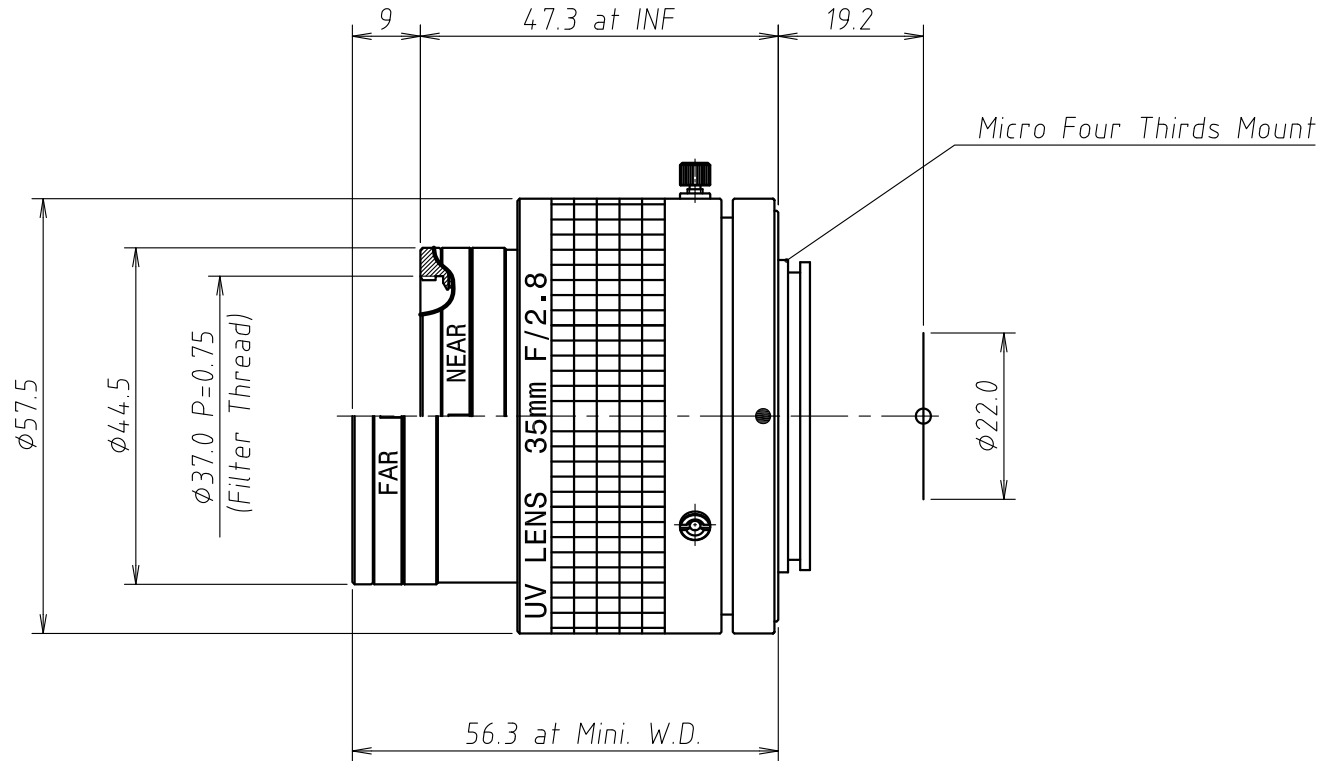


| Lens Specification | |
|--|--|
| Focal length | 35.02mm (at $\lambda = 250\text{nm}$) |
| Back focal length | 30.75 mm |
| Mechanical back | 15.0 mm |
| Aperture ratio | F/2.8 |
| Image size | $\phi 22.0$ mm |
| Magnification | |
| Distortion | -4.06% |
| Angle of view at INF. | |
| Vertical | $^{\circ}$ |
| Horizontal | $^{\circ}$ |
| Diagonal | 36.5 $^{\circ}$ |
| Resolution | |
| Center | LP/mm |
| Corner | LP/mm |
| Pupil positions | |
| Entrance pupil | 13.49 mm (Front lens) |
| Exit pupil | -36.24 mm (Image plane) |
| Principal points | |
| Object space | 14.90 mm (Front lens) |
| Image space | -34.77 mm (Image plane) |
| Coating ($\lambda = 250\text{nm}$) | |
| All surfaces are antireflection coated. MgF2 single coated. | |

Specifications above are design specifications.

Note:

- Mini. Working Dist.
129.1 mm (at $\lambda = 250\text{nm}$)



UNIVERSE KOGAKU (AMERICA), INC.

116 Audrey Avenue, Oyster Bay, New York 11771
Phone: (516)624-2444/Fax: (516)624-3109

| | | | | | |
|---------------|------------|---------|--------------------|---------|---------|
| $\triangle 4$ | | TITLE | 35mm F/2.8 UV LENS | DRAWN | M.M. |
| $\triangle 3$ | | P/NO. | UV3528L | CHECKED | H.K. |
| $\triangle 2$ | | Mfg.NO. | BA351A-Y01-0 | UOI | UV3528L |
| $\triangle 1$ | | | | SHEET | 1 OF 1 |
| | 07/31/2017 | | | REV | A |