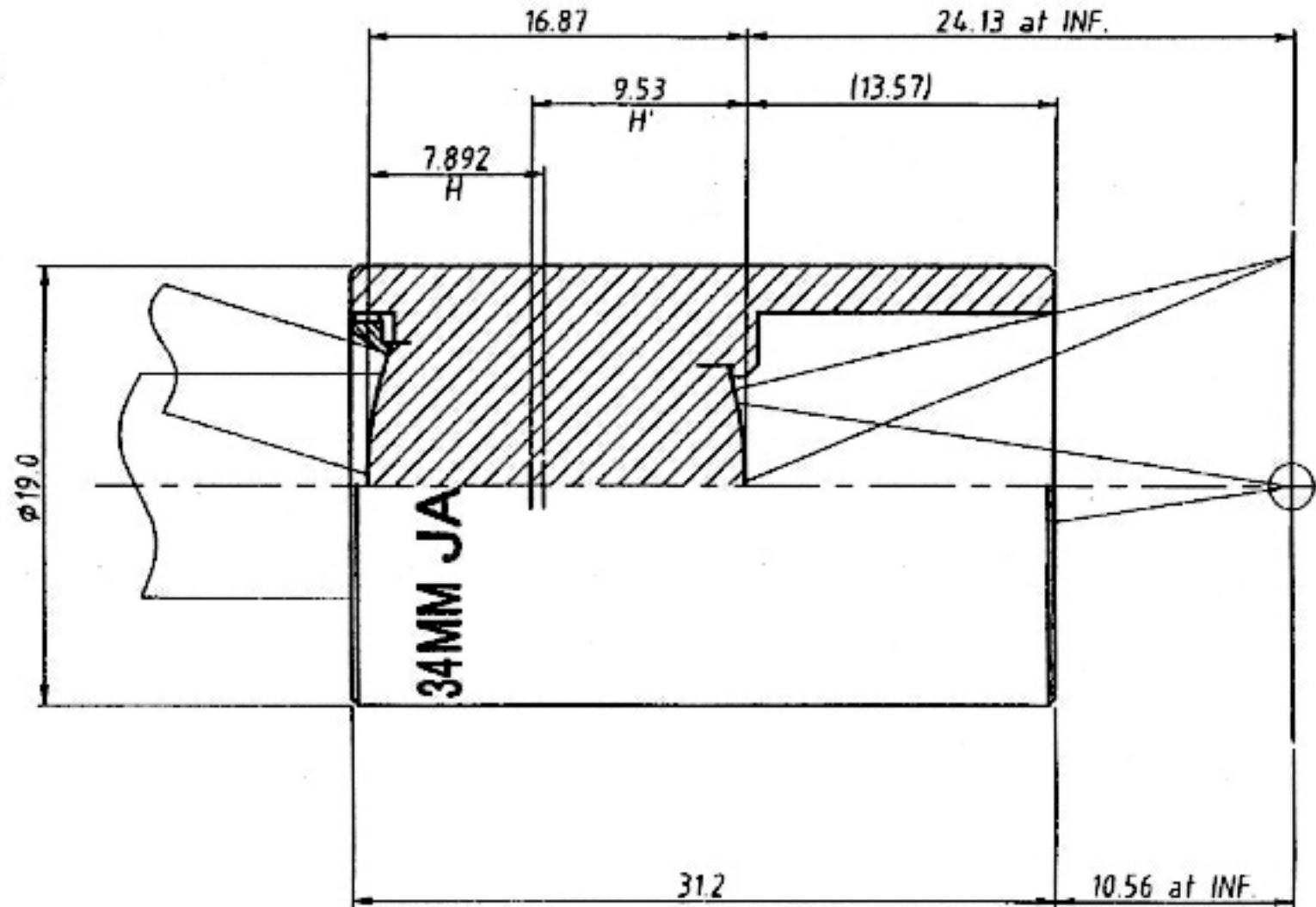



**Lens Specification**

Focal length : 33.66mm ± 5%  
 Back focal : 24.13mm ± 5%  
 Mechanical back : 10.56mm ± 0.4mm at INF.  
 Aperture ratio : F/3.5 ± 5%  
 Image size :  $\phi 20$   
 Angle of view :  
     Image to object distance = Infinity  
      $\phi 20$  : 33.2°  
      $\phi 18$  : 30.0°  
      $\phi 16$  : 26.8°  
 OPT. Distortion : -0.28% ( $\phi 20$ )  
 Aperture of front lens :  $\phi 11.5$   
 Aperture of rear lens :  $\phi 9.5$   
 Coating : All surface are antireflection coated.  
           (MgF2 single coat)  
           ( $\lambda = 550\text{nm}$ )  
 Engrave : 34MM JAPAN



 <b>UNIVERSE KOGAKU (AMERICA), INC.</b> 116 AUDREY AVENUE, OYSTER BAY, NEW YORK 11771 PHONE: (516) 624-2444 FAX: (516) 624-3109			
<b>TITLE</b> 34mm F/3.5 LENS			
<b>DATE</b>	<b>SCALE</b>	<b>NO.</b>	<b>DRAWN</b>
2/12/99	None	TP-34	APPROVED