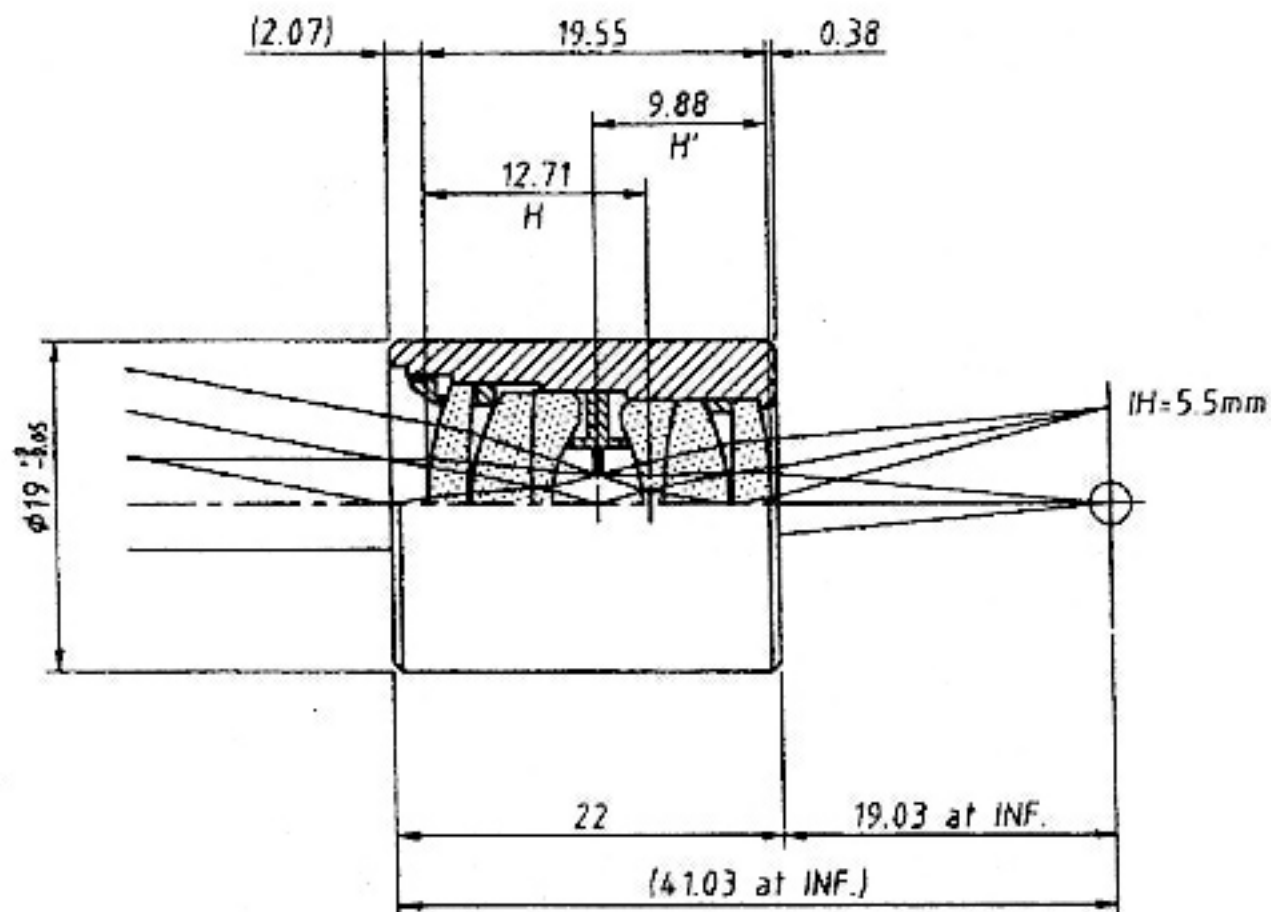


Lens Specification	
Focal length	29.29mm±5%
Back focal length	19.41mm±5%
Mechanical back	19.03mm±0.7mm
Aperture ratio	F/5.6±5%
Image size	2/3"(18.8mm×6.6mm)
Magnification	-
Distortion	+0.06%
Angle of view at INF.	
Vertical	12.9°
Horizontal	17.1°
Diagonal	21.3°
Resolution	
Center	200LP/mm
Corner	100LP/mm
Pupil positions from the lens surface.	
Entrance pupil	4.06mm (Front lens)
Exit pupil	-31.29mm (Image plane)
Principal points from the lens surface.	
Object space	12.73mm (Front lens)
Image space	-29.29mm (Image plane)
Coating (λ=546nm)	
All surfaces are antireflection coated. MgF2 single coated.	



Angle of view

Image to object distance=Infinity

1/2" (6.4mm×4.8mm) 1/3" (4.8mm×3.6mm)

Vertical	: 9.4°	7.0°
Horizontal	: 12.5°	9.4°
Diagonal	: 15.6°	11.7°

OPT. Distortion : +0.03% +0.02%



UNIVERSE KOGAKU (AMERICA), INC.

116 Audrey Avenue, Oyster Bay, New York 11771
Phone: (516) 624-2444/Fax: (516) 624-3109

4		TITLE	29mm F/5.6 LENS	
3		P/NO.	TOP-2956	
2		Mfg. NO.		
1			SHEET 1 OF 1	REV A
	04/18/06			