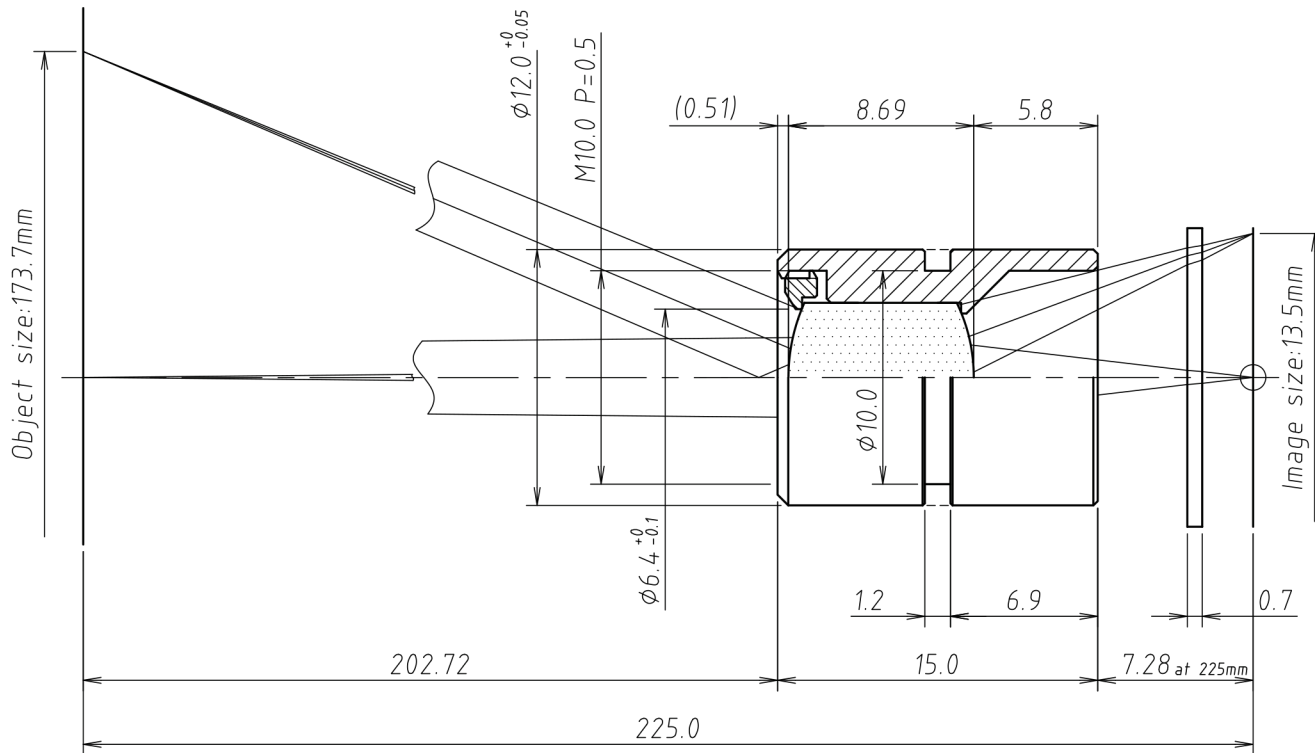


Lens Specification at 225mm

Focal length	15.18mm ±5%
Back focal length	13.08mm ±5%
Mechanical back	7.28mm ±0.5mm
Aperture ratio	F/4.0 ±5%
Image size	13.5mm
Magnification	-0.08x
Distortion	-1.4%
Angle of view at 225mm	
Vertical	-
Horizontal	-
Diagonal	45.6°
Resolution	
Center	160LP/mm
Corner	25LP/mm
Pupil positions	
Entrance pupil	3.26mm (Front lens)
Exit pupil	-17.68mm (Image plane)
Principal points	
Object space	4.46mm (Front lens)
Image space	-16.37mm (Image plane)
Coating (λ =546nm)	
All surfaces are antireflection coated. MgF2 single coated.	

Note:



UNIVERSE KOGAKU (AMERICA), INC.

116 Audrey Avenue, Oyster Bay, New York 11771
Phone: (516)624-2444/Fax: (516)624-3109

④		
③		
②		
①		

TITLE	ARH 15mm F/4.0 CCD LENS		
P/NO.	QJ-294RH		
Mfg.NO.	NC290R-Y02-0	SHEET 1 OF 1	REV A

06/16/2010

Mfg.NO. NC290R-Y02-0

SHEET 1 OF 1

REV A