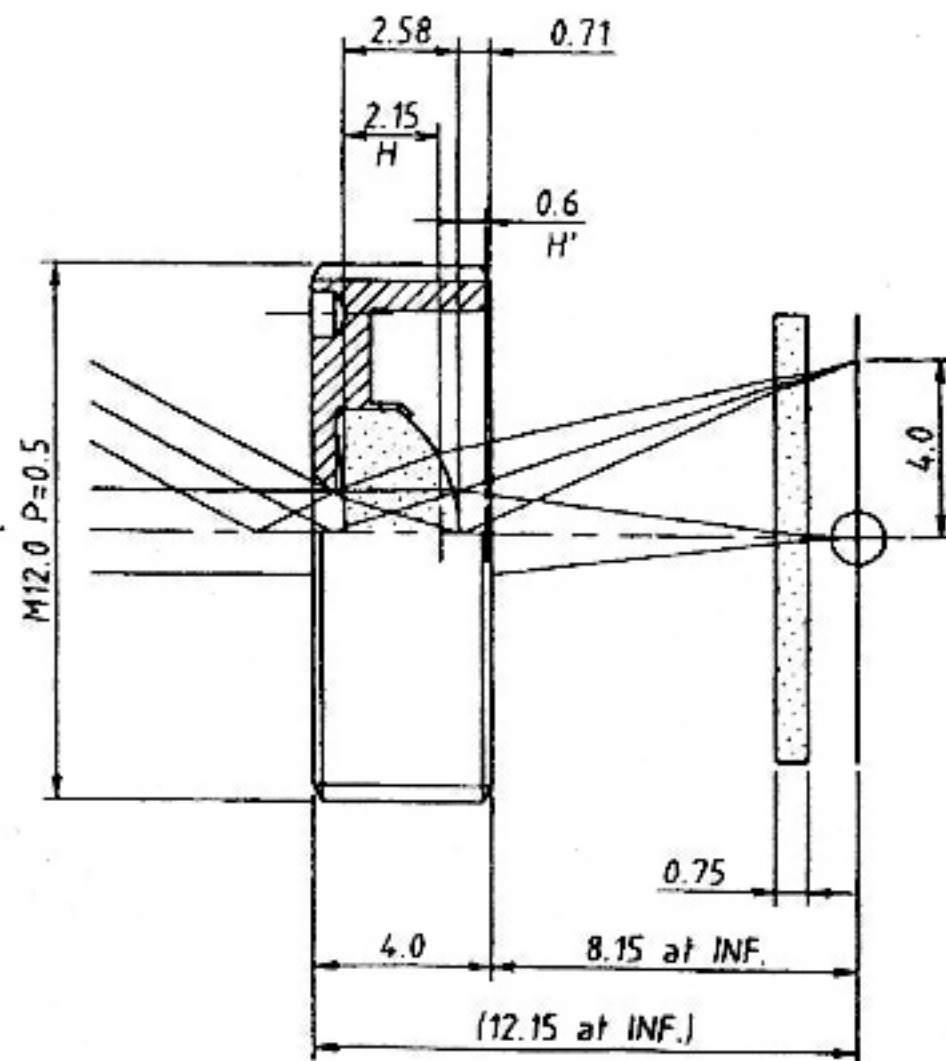
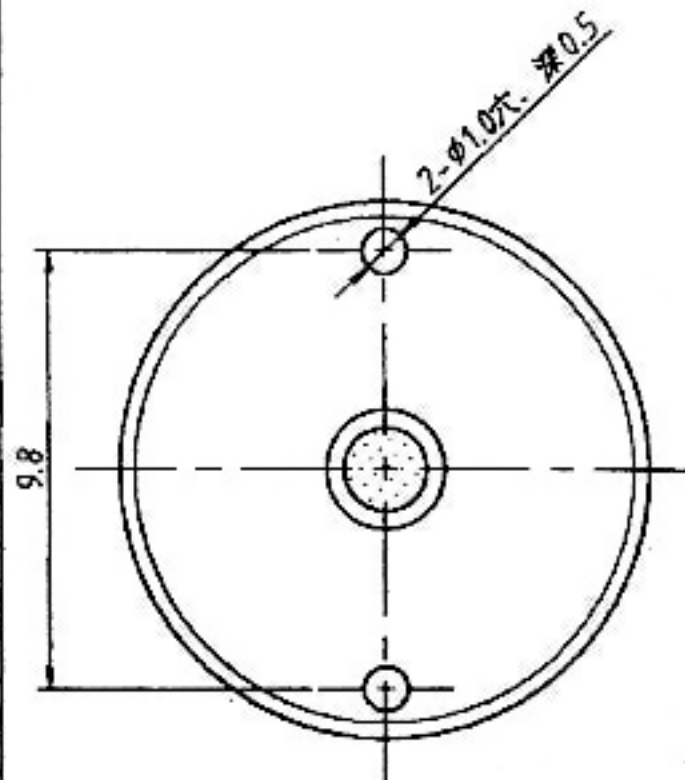


Lens Specification	
Focal length	8.00mm±5%
Back focal length	8.60mm±5%
Mechanical back	7.89mm±0.3mm
Aperture ratio	F/4.5±5%
Image size	1/2"(6.4mm×4.8mm)
Magnification	-
Distortion	-6.6%
Angle of view at INF.	
Vertical	33.7°
Horizontal	44.7°
Diagonal	55.7°
Resolution	
Center	50LP/mm
Corner	25LP/mm
Pupil positions from the lens surface.	
Entrance pupil	0mm (Front lens)
Exit pupil	-11.47mm (Image plane)
Principal points from the lens surface.	
Object space	2.15mm (Front lens)
Image space	-8.00mm (Image plane)
Coating (λ=546nm)	
All surfaces are antireflection coated. MgF2 single coated.	



Angle of view

Image to object distance=Infinity

1/3" (4.8mm×3.6mm) 1/4" (3.6mm×2.7mm)

Vertical	: 25.4°	19.0°
Horizontal	: 33.7°	25.4°
Diagonal	: 42.0°	31.6°

OPT. Distortion	: -3.7%	-2.0%
-----------------	---------	-------



UNIVERSE KOGAKU (AMERICA), INC.

116 Audrey Avenue, Oyster Bay, New York 11771
Phone: (516) 524-2444/Fax: (516) 624-3109

4	
3	
2	
1	04/07/06

TITLE

8mm F/4.5 PINHOLE LENS

P/NO.

PTS-8M12

Mfg. NO.

SHEET 1 OF 1 REV A