

Lens Specification

Focal length : 5.300mm ± 5%
 Back focal : 5.859mm ± 5%
 Mechanical back : 5.650mm ± 0.3mm
 Aperture ratio : F/4.5 ± 5%
 CCD size : 1/2" (6.4mm × 4.8mm)
 1/3" (4.8mm × 3.6mm)
 1/4" (3.6mm × 2.7mm)

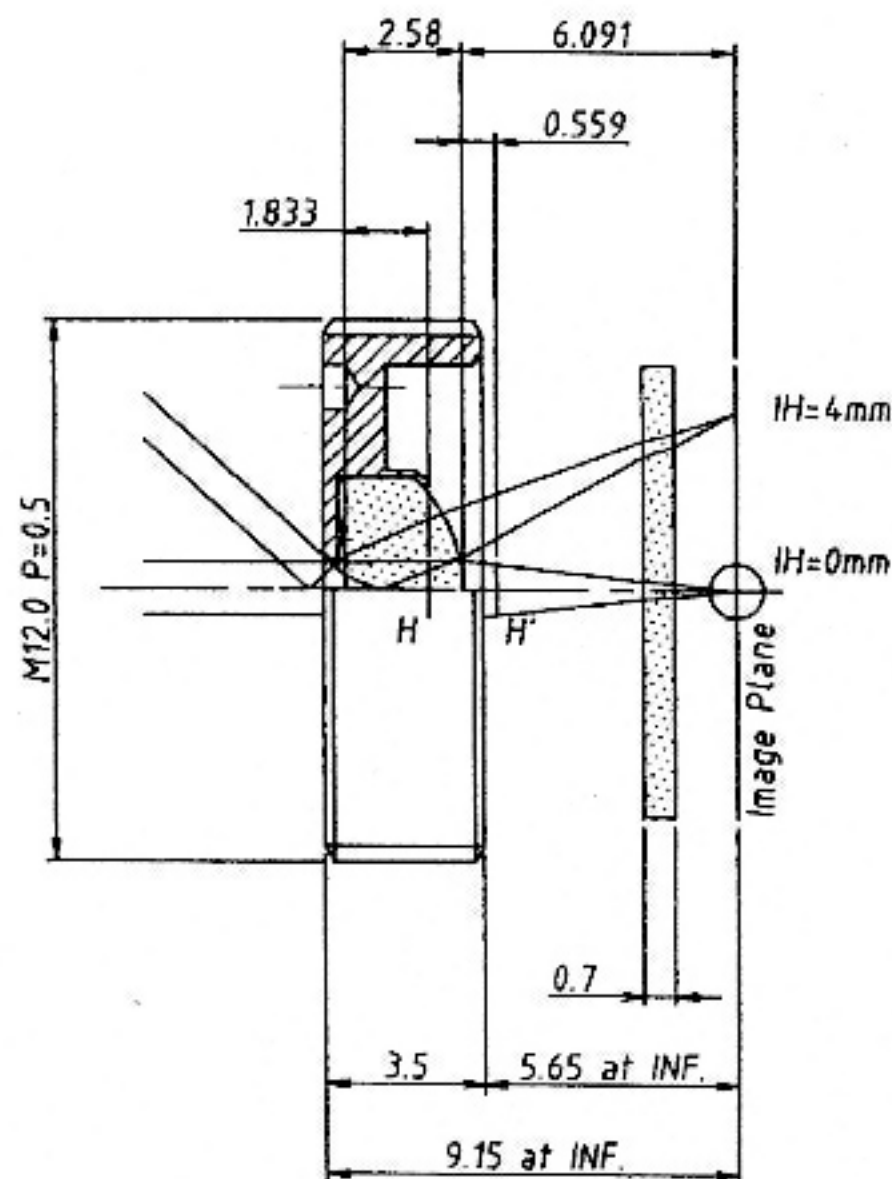
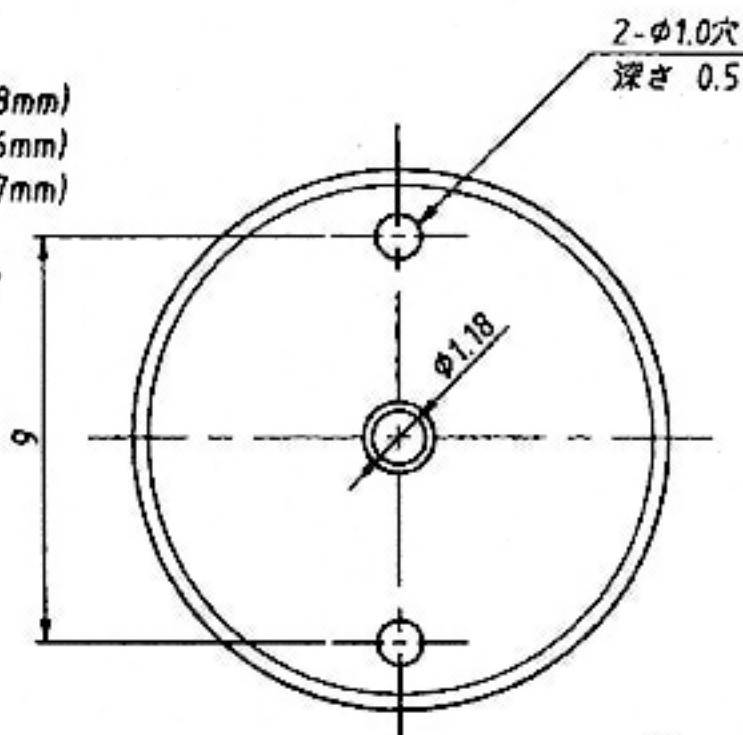
Angle of view

Image to object distance = Infinity

1/2" Diagonal : 84.5°
 Horizontal : 67.5°
 Vertical : 50.6°
 1/3" Diagonal : 63.3°
 Horizontal : 50.6°
 Vertical : 38.0°
 1/4" Diagonal : 47.5°
 Horizontal : 38.0°
 Vertical : 28.5°

OPT. Distortion : 1/2" Diagonal -18.7%
 1/3" Diagonal -10.1%
 1/4" Diagonal -5.6%

Coating : All surfaces are antireflection coated.
 (MgF2 single coat)
 (λ = 550nm)



UNIVERSE KOGAKU (AMERICA), INC.
 116 Audrey Avenue, Oyster Bay, New York 11771
 Phone: (516) 624-2444 / Fax: (516) 624-3109

④		TITLE	5.3mm F/4.5 CCD PINHOLE LENS	
③		P/NO.	PTS-5M12	
②		Mfg. NO.		
①	01/26/06		SHEET 1 OF 1	REV A