

**Lens Specification**

Focal length : 3.724mm ± 5%  
 Back focal : 4.110mm ± 5%  
 Mechanical back : 4.251mm ± 0.3mm at INF.  
 Aperture ratio : F/4.5 ± 5%  
 CCD size : 1/3" (4.8×3.6)  
 1/4" (3.6×2.7)

**Angle of view**

Image to object distance=Infinity

1/3" Diagonal : 91.4°  
 Horizontal : 72.6°  
 Vertical : 54.2°  
 1/4" Diagonal : 68.0°  
 Horizontal : 54.2°  
 Vertical : 40.6°

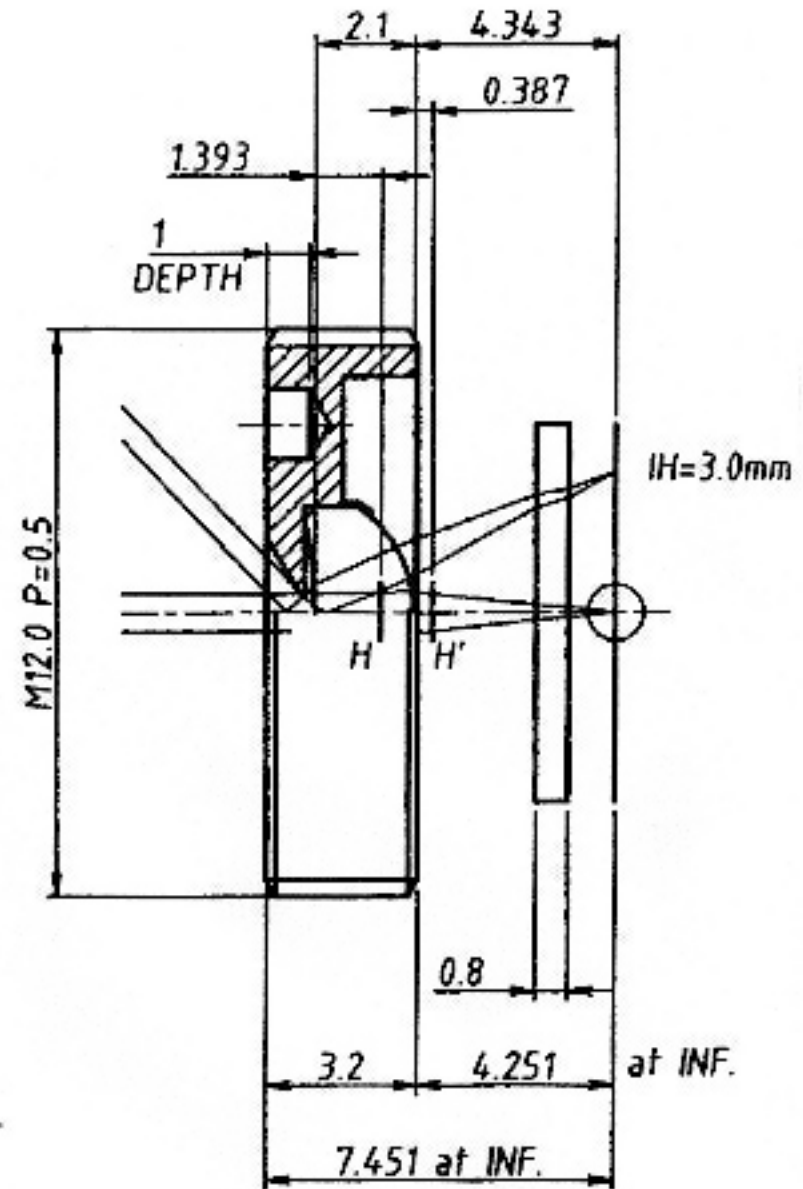
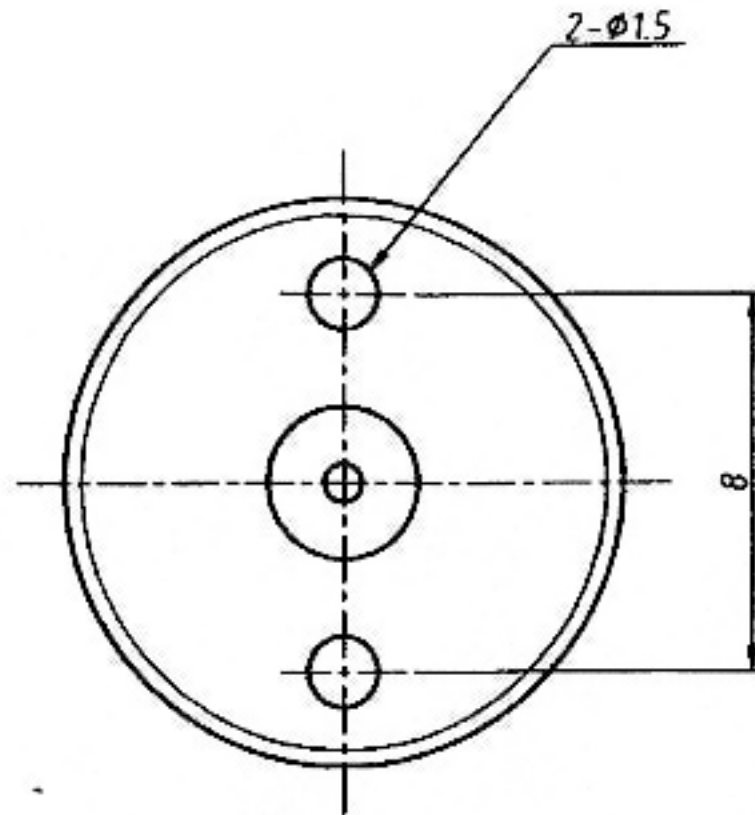
OPT. Distortion : 1/3" Diagonal -23.3%  
 1/4" Diagonal -12.6%

Resolution : 63LP/mm (Center)  
 20LP/mm (Corner)

Aperture of front lens : φ0.82

Aperture of rear lens : φ4.0

Coating : All surfaces are  
 antireflection coated.  
 (MgF2 single coat)  
 (λ = 550nm)



**UNIVERSE KOGAKU (AMERICA), INC.**

116 Audrey Avenue, Oyster Bay, New York 11771  
 Phone: (516) 624-2444/Fax: (516) 624-3109

4		TITLE	3.7mm F/4.5 PINHOLE LENS	
3		P/NO.	PTS-3.7M12	
2		Mfg. NO.	1/11/01	SHEET 1 OF 1 REV A
1				