

Lens Specification

Focal length : 3.165mm ± 5%
 Back focal : 3.306mm ± 5%
 Mechanical back : 3.419mm ± 0.3mm at INF.
 Aperture ratio : F/4.5 ± 5%
 CCD size : 1/3" (4.8×3.6)
 1/4" (3.6×2.7)

Angle of view

Image to object distance=Infinity

1/3" Diagonal : 117.4°
 Horizontal : 90.6°
 Vertical : 66.9°
 1/4" Diagonal : 84.5°
 Horizontal : 66.9°
 Vertical : 49.8°

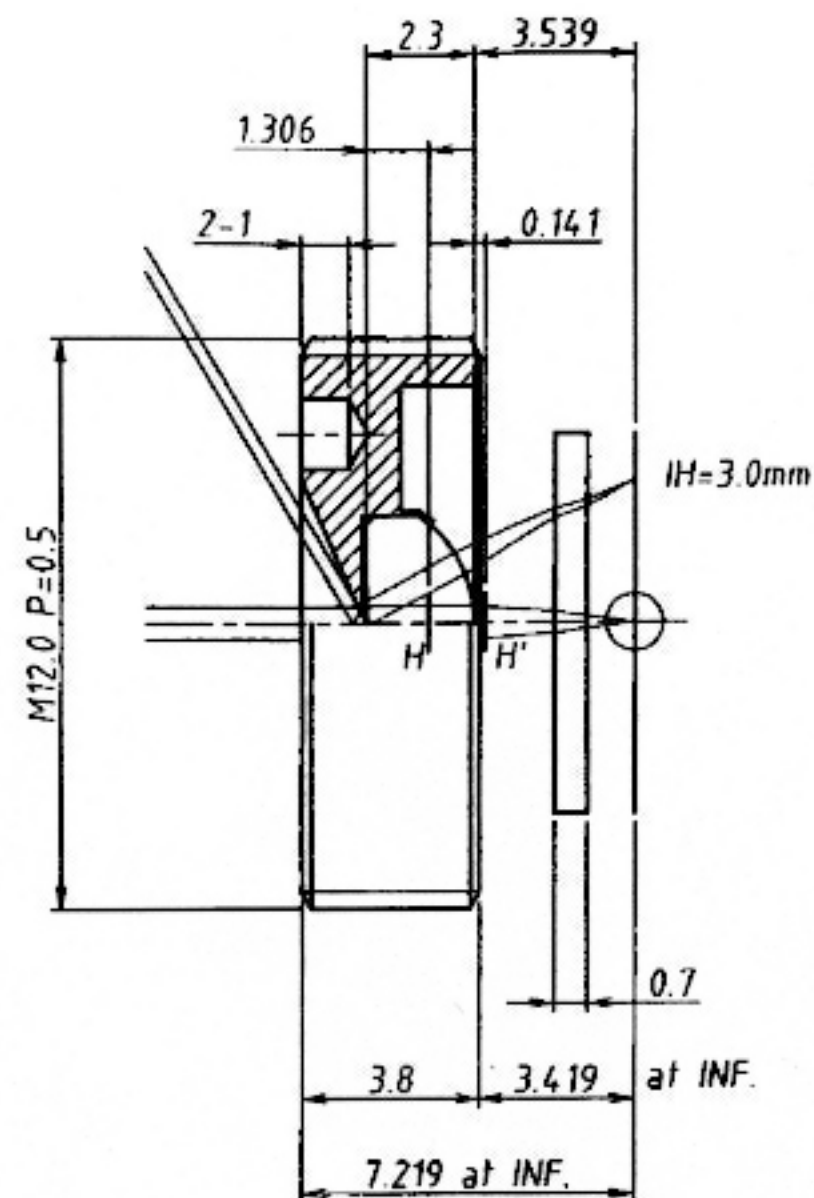
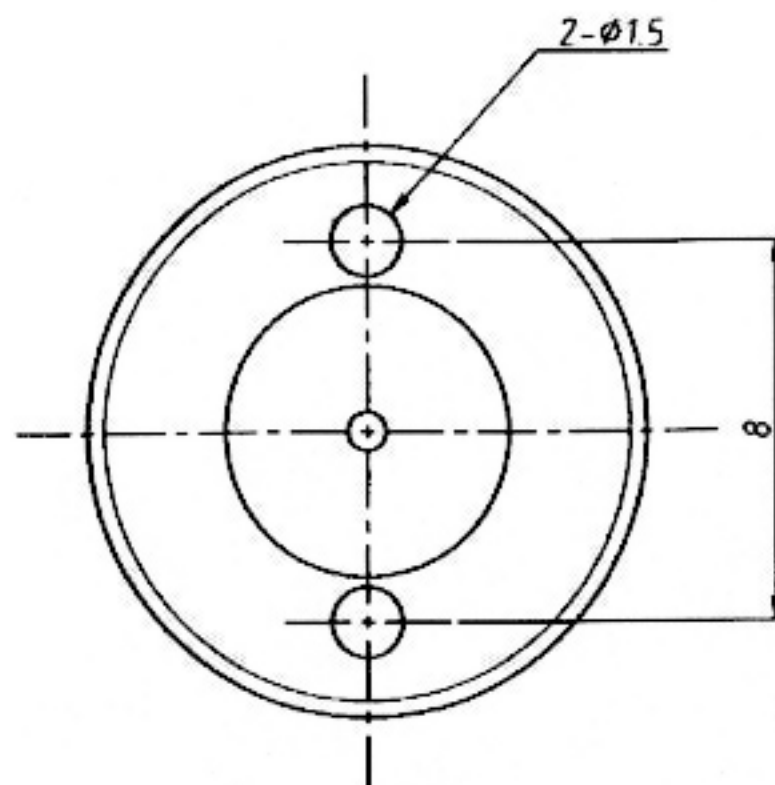
OPT. Distortion : 1/3" Diagonal -41.9%
 1/4" Diagonal -20.5%

Resolution : 63LP/mm (Center)
 20LP/mm (Corner)

Aperture of front lens : $\phi 0.7$

Aperture of rear lens : $\phi 4.0$

Coating : All surfaces are
 antireflection coated.
 (MgF2 single coat)
 ($\lambda = 550\text{nm}$)



UNIVERSE KOGAKU (AMERICA), INC.
 116 Audrey Avenue, Oyster Bay, New York 11771
 Phone: (516) 624-2444/Fax: (516) 624-3109

④			TITLE	3.2mm F/4.5 PINHOLE LENS	
③			P/NO.	PTS-3.2M12	
②			Mfg. NO.	SHEET 1 OF 1	REV A
①					
	1/11/01				