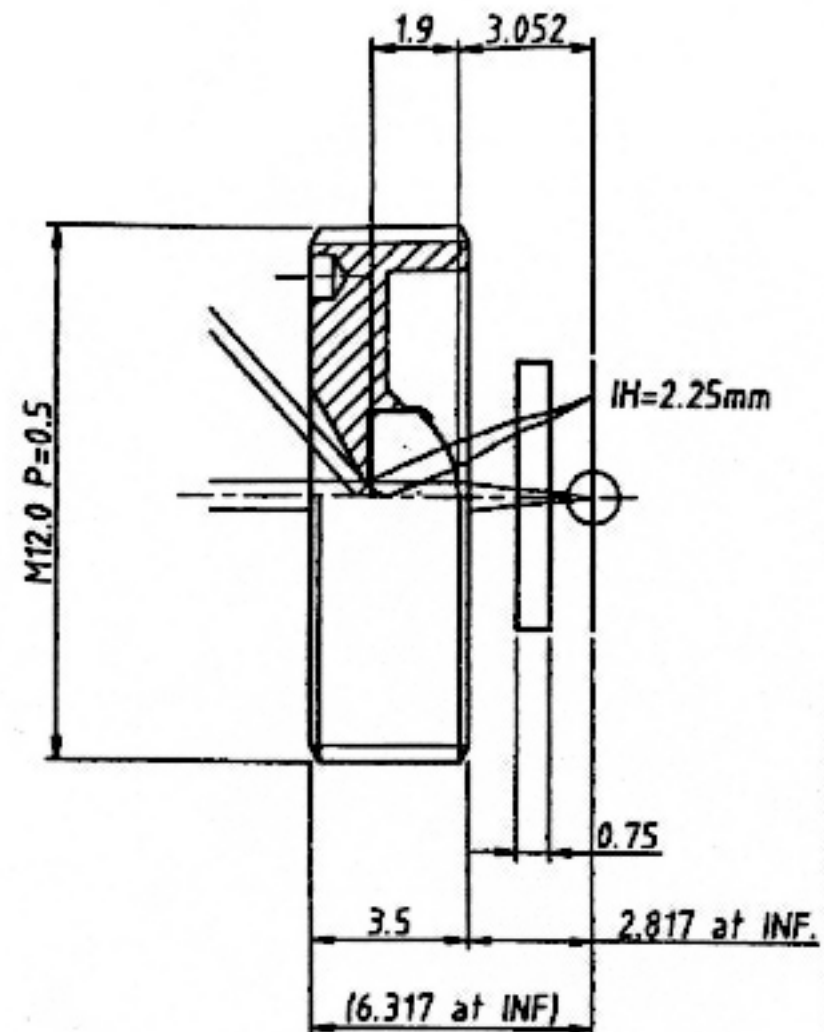
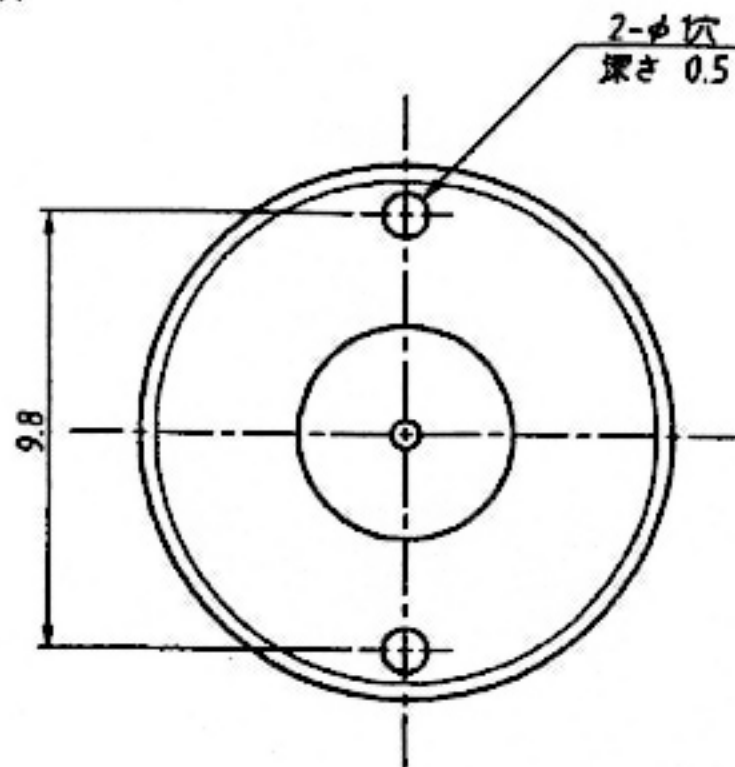


Lens Specification

Focal length : 2.928mm±5%
 Back focal : 2.802mm±5%
 Mechanical back : 2.817mm±0.3mm at INF.
 Aperture ratio : F/4.5 ± 5%
 CCD size : 1/4" (3.6×2.7)
 Angle of view
 Image to object distance=Infinity
 1/4" Diagonal : 95.2°
 Horizontal : 75.1°
 Vertical : 55.9°
 Aperture of front lens : φ0.64
 Aperture of rear lens : φ3.3
 Coating : All surfaces are
 antireflection coated.
 (MgF2 single coat)
 (λ=550nm)



UNIVERSE KOGAKU (AMERICA), INC.
 116 Audrey Avenue, Oyster Bay, New York 11771
 Phone: (516) 624-2444/Fax: (516) 624-3109

④		TITLE		
③			2.9mm F/4.5 CCD LENS	
②		P/NO.	PTS-2.9M12	
①		Mfg. NO.	SHEET 1 OF 1	REV A
	9/11/09			