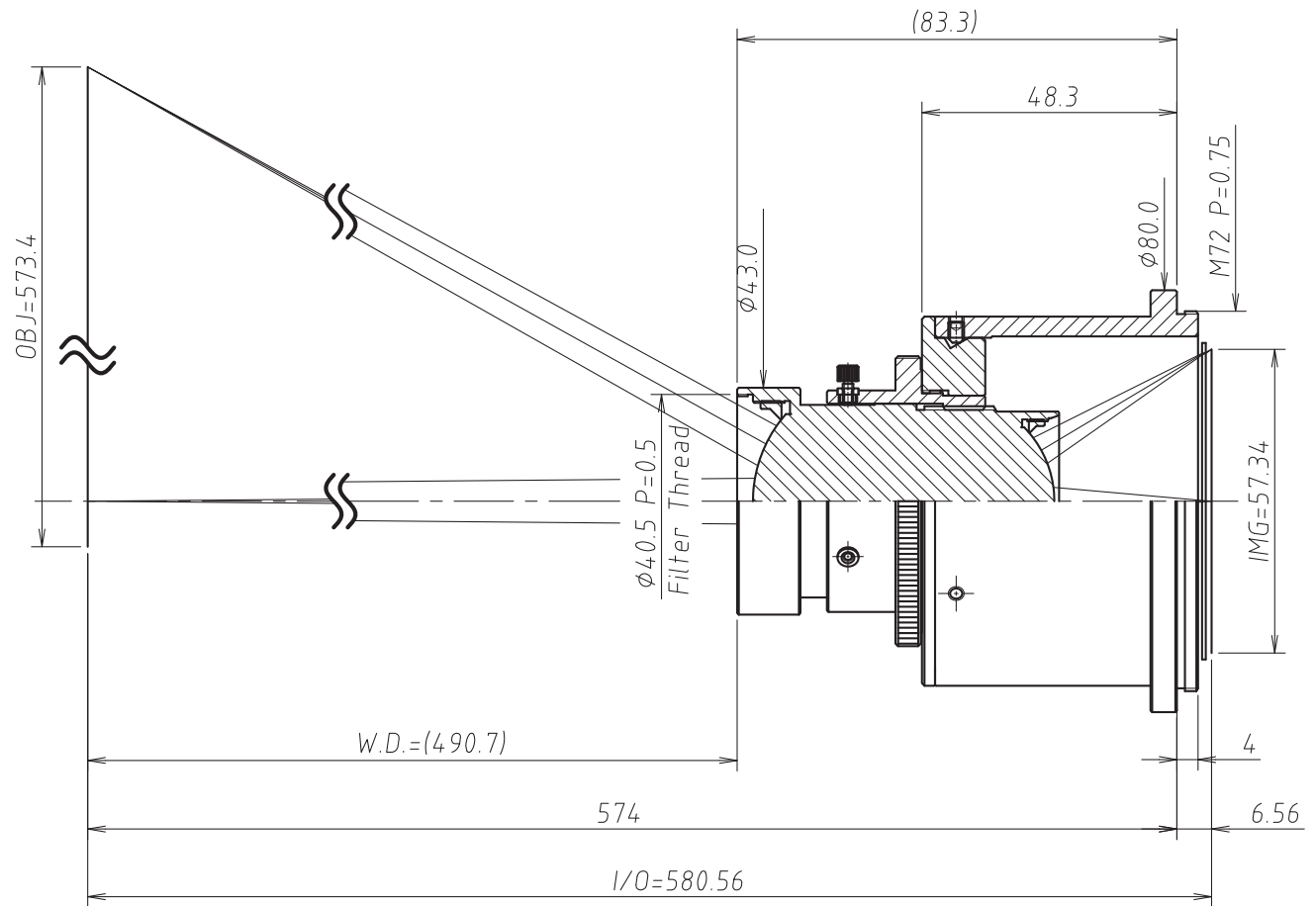


Lens Specification	
Focal length	46.6mm±5%
Back focal length	29.55mm±5%
Mechanical back	6.56mm±0.25mm
Aperture ratio	F/5.0
Image size	∅57.34mm
Magnification	-0.1x
Distortion	+0.31%
Angle of view at I/O=580.56mm	
Vertical	
Horizontal	
Diagonal	58.1°
Resolution	
Center	120LP/mm
Corner	70LP/mm
Pupil positions	
Entrance pupil	21.53mm (Front lens)
Exit pupil	-48.59mm (Image plane)
Principal points	
Object space	18.68mm (Front lens)
Image space	-51.28mm (Image plane)
Coating (λ=546nm)	
All surfaces are antireflection coated. MgF2 single coated.	

Note:



**UNIVERSE KOGAKU (AMERICA), INC.**

116 Audrey Avenue, Oyster Bay, New York 11771  
Phone: (516)624-2444/Fax: (516)624-3109

△			TITLE	
△			47mm F/5.0 LENS	
△			P/NO.	
△			NZ470	
	03/12/2010		Mfg.NO. NZ470A-Y01	SHEET 1 OF 1 REV A