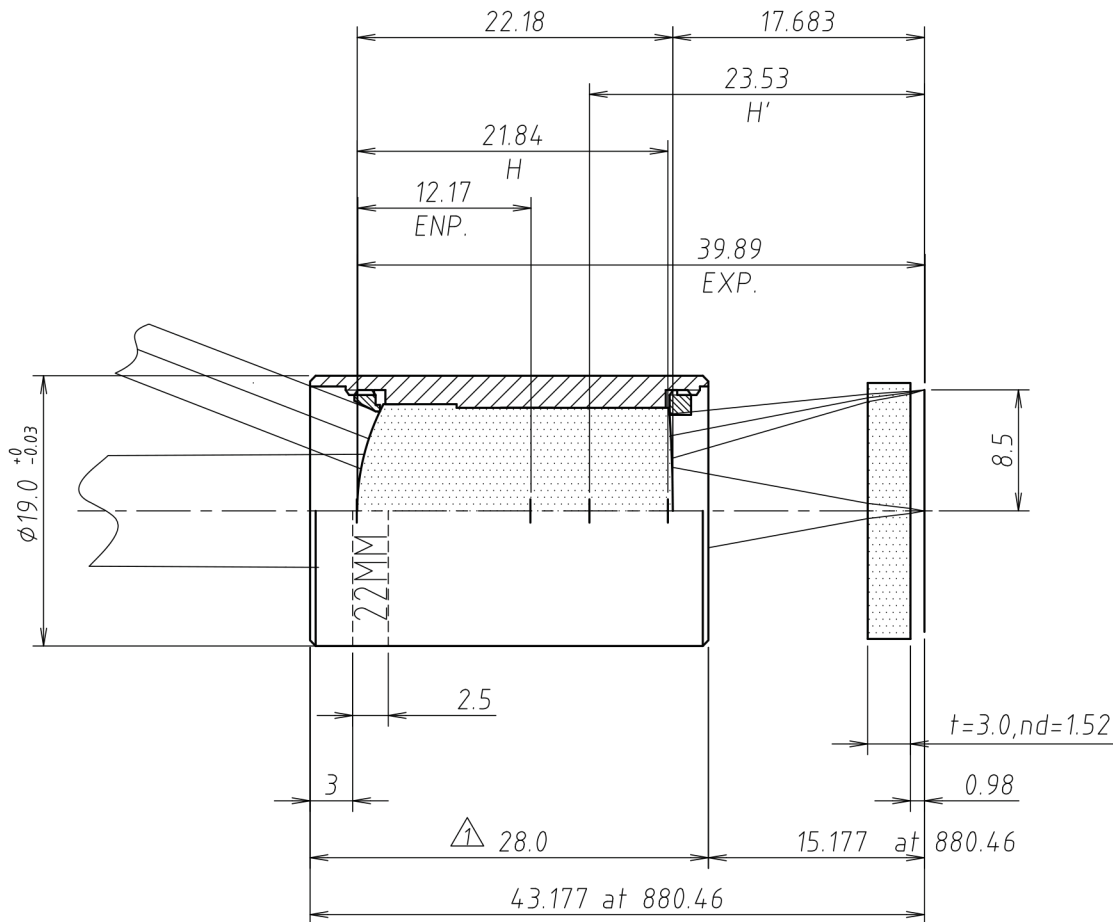


Lens Specification

Focal length	22.0mm
Back focal length	17.683mm
Mechanical back	15.177mm
Aperture ratio	F/2.8
Image size	∅17.0
Magnification	-0.0257x
Distortion	-1.7%
Angle of view at 880.46mm	
Vertical	-
Horizontal	-
Diagonal	42.3°
Resolution	
Center	120LP/mm
Corner	63LP/mm
Pupil positions	
Entrance pupil	12.17mm (Front lens)
Exit pupil	-39.89mm (Image plane)
Principal points	
Object space	21.84mm (Front lens)
Image space	-23.53mm (Image plane)
Coating (λ = 546nm)	
All surfaces are antireflection coated. MgF2 single coated.	

Note:



UNIVERSE KOGAKU (AMERICA), INC.
116 Audrey Avenue, Oyster Bay, New York 11771
Phone: (516)624-2444/Fax: (516)624-3109

△			TITLE	22mm F/2.8 LENS	
△			P/NO.	NBj-22A	
△	04/23/2010	26.0->28.0	Mfg.NO.	KR521A-Y01-1	
	04/23/2010				SHEET 1 OF 1 REV A