

Lens Specification

Focal length : 51.45mm (at 546nm)
 Back focal : 33.08mm
 Mechanical back : 32.22mm ± 0.5mm at INF.
 Aperture ratio : F/2.8 ± 5%
 Format size : 24 × 36 (D:43.266) mm

Angle of view

Image to object distance = Infinity

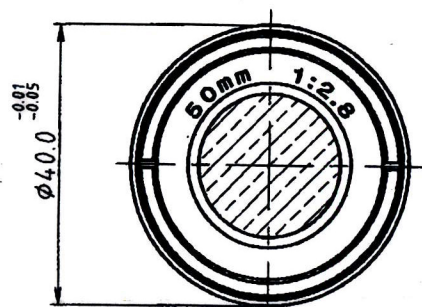
Diagonal : 45.37°
 Horizontal : 38.39°
 Vertical : 26.19°

OPT. Distortion : +0.52 % (max)

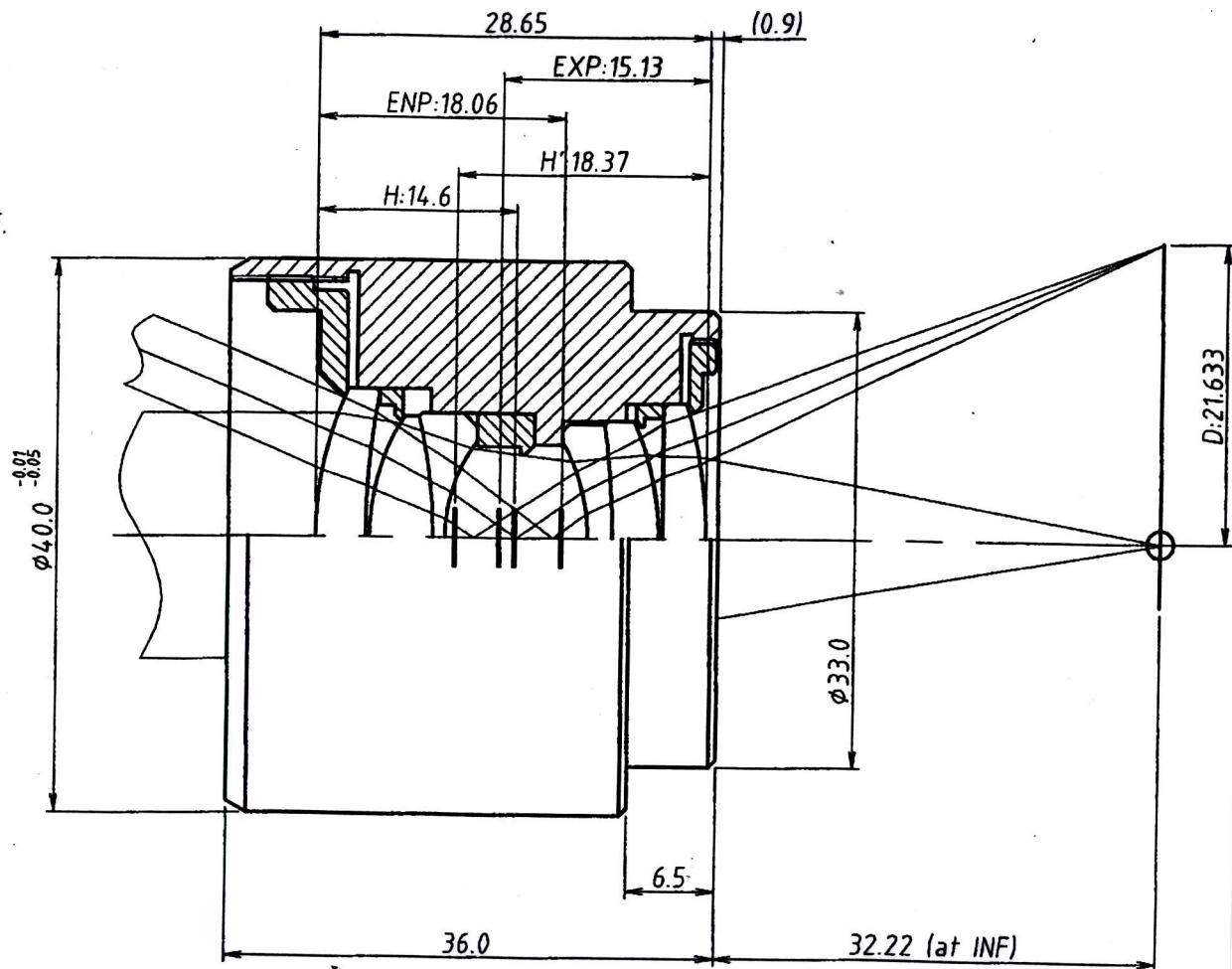
Aperture of front lens : $\phi 20.5$


Aperture of rear lens : $\phi 18.5$

Coating : All surface are antireflection coated.
 (MgF2 single coat)
 ($\lambda = 550\text{nm}$)



Front of view (1/2)



 UNIVERSE KOGAKU (AMERICA), INC. 116 AUDREY AVENUE, OYSTER BAY, NEW YORK 11771 PHONE: (516) 624-2444 FAX: (516) 624-3109			
TITLE 50mm F/2.8 LENS W/STRAIGHT BARREL			
DATE 11/24/99	SCALE None	NO. EL-50S	DRAWN APPROVED