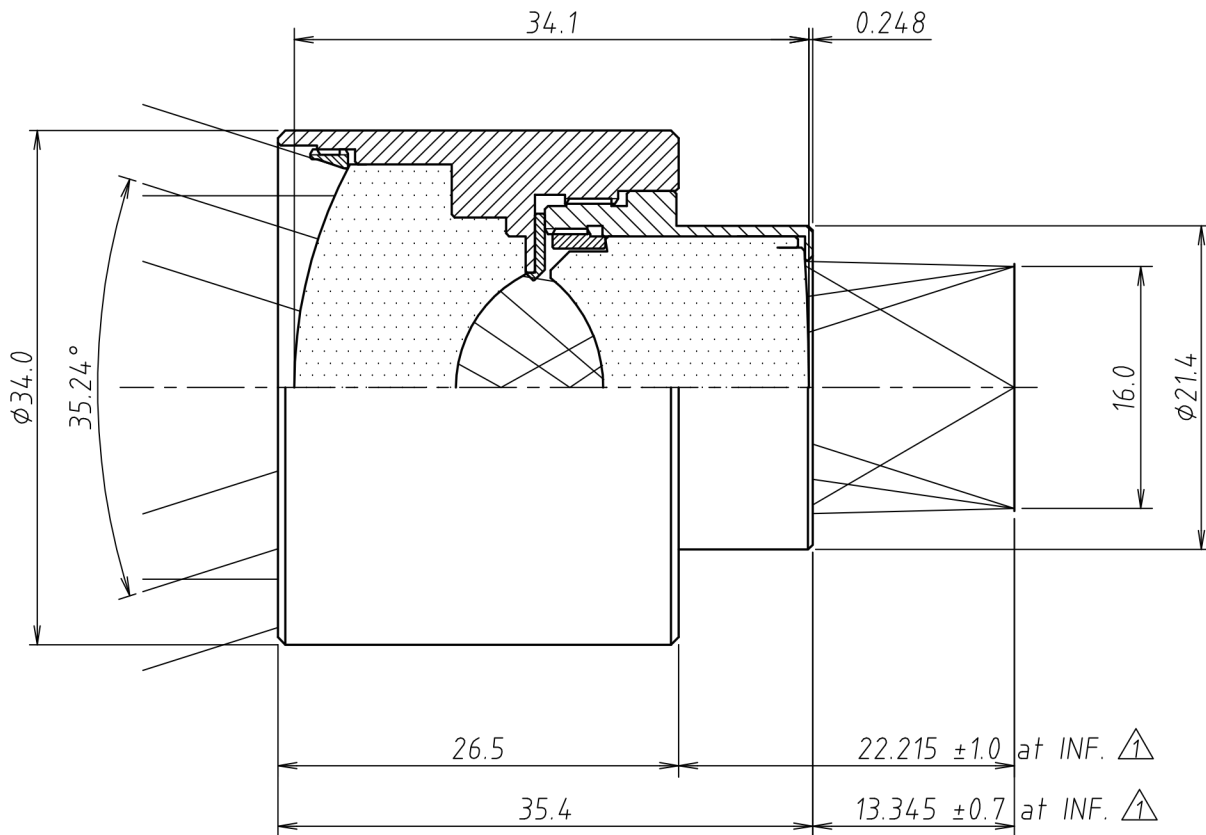


Lens Specification

Focal length	25.0mm ±5%
Back focal length	13.593mm±0.5mm
Mechanical back	13.345mm±0.7mm
Aperture ratio	F/0.95
Image size	1"CCD (9.6X12.8)
Magnification	-
Distortion	0.23%
Angle of view at INF.	
Vertical	21.72°
Horizontal	28.64°
Diagonal	35.24°
Resolution	
Center	80LP/mm
Corner	25LP/mm
Pupil positions	
Entrance pupil	26.502mm (Front lens)
Exit pupil	-70.588mm (Image plane)
Principal points	
Object space	37.691mm (Front lens)
Image space	-25.021mm (Image plane)
Coating (λ =546nm)	
All surfaces are antireflection coated. MgF2 single coated.	



Note:

1. Weight 66g



UNIVERSE KOGAKU (AMERICA), INC.

116 Audrey Avenue, Oyster Bay, New York 11771

Phone: (516)624-2444/Fax: (516)624-3109

4			TITLE	25mm F/0.95 W/STRAIGHT BARREL	DRAWN	H.K
3			P/NO.	EL-1025S	CHECKED	M.M
2	10/02/2013	Addition of weight	Mfg.NO.	VC250A-Y01-1	UOI	EL-1025S
1	01/16/2013				SHEET	1 OF 1
					REV	A