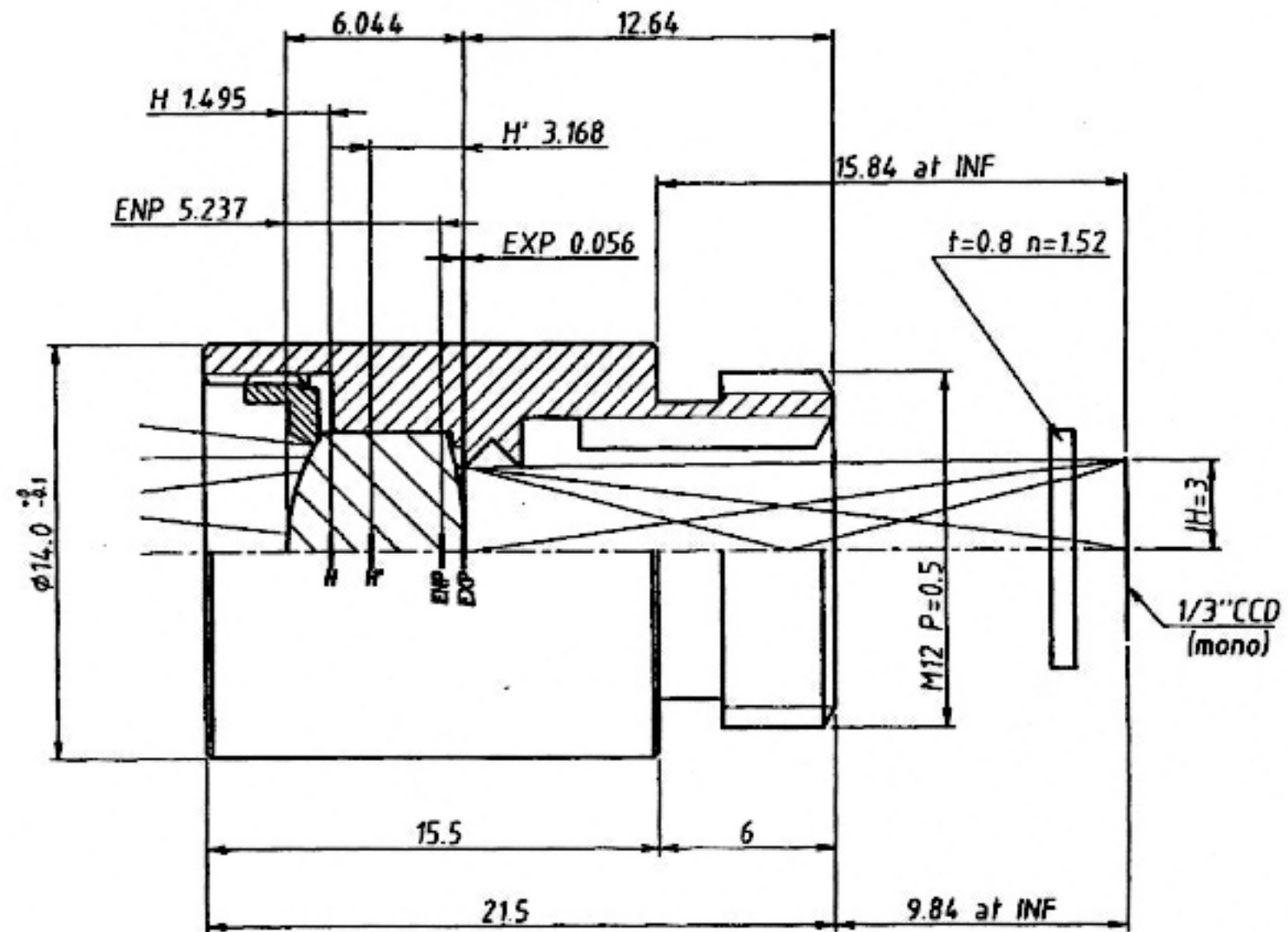


Lens specification

- 1. Focal length $25.345 \pm 0.3\text{mm}$
- 2. Flange back $15.517 \pm 0.3\text{mm}$ (in Air)
- 3. Aperature ratio $F/4.0$
- 4. Angle of view 13.5° (Diagonal)
 10.8° (Horizontal)
 8.1° (Vertical)
- 5. Resolution 80 lp/mm (Center)
 40 lp/mm (Corner)
- 6. Opt. Distortion -0.022% (Corner)
- 7. Lens elements 3 groups/3 elements



UNIVERSE KOGAKU (AMERICA), INC.

116 AUDREY AVENUE, OYSTER BAY, NEW YORK 11771
PHONE: (516) 624-2444 FAX: (516) 624-3109

TITLE

25mm F/4.0 CCD LENS

DATE

5/5/98

SCALE

None

NO.

DL-25M12

DRAWN

APPROVED