

Lens Specification

Focal length	8.75mm ±5%
Back focal length	11.395mm ±5%
Mechanical back	7.117mm ±0.5mm
Aperture ratio	F/2.4
Image size	3.6x4.8
Magnification	-0.12973x
Distortion	-1.67%
Angle of view at 92.413mm	
Vertical	22.3°
Horizontal	29.6°
Diagonal	36.8°
Resolution	
Center	100LP/mm
Corner	50LP/mm
Pupil positions from the lens surface.	
Entrance pupil	4.973mm (Front lens)
Exit pupil	-24.524mm (Image plane)
Principal points from the lens surface.	
Object space	10.458mm (Front lens)
Image space	-9.906mm (Image plane)
Coating (λ = 546nm)	
All surfaces are antireflection coated. MgF2 single coated.	

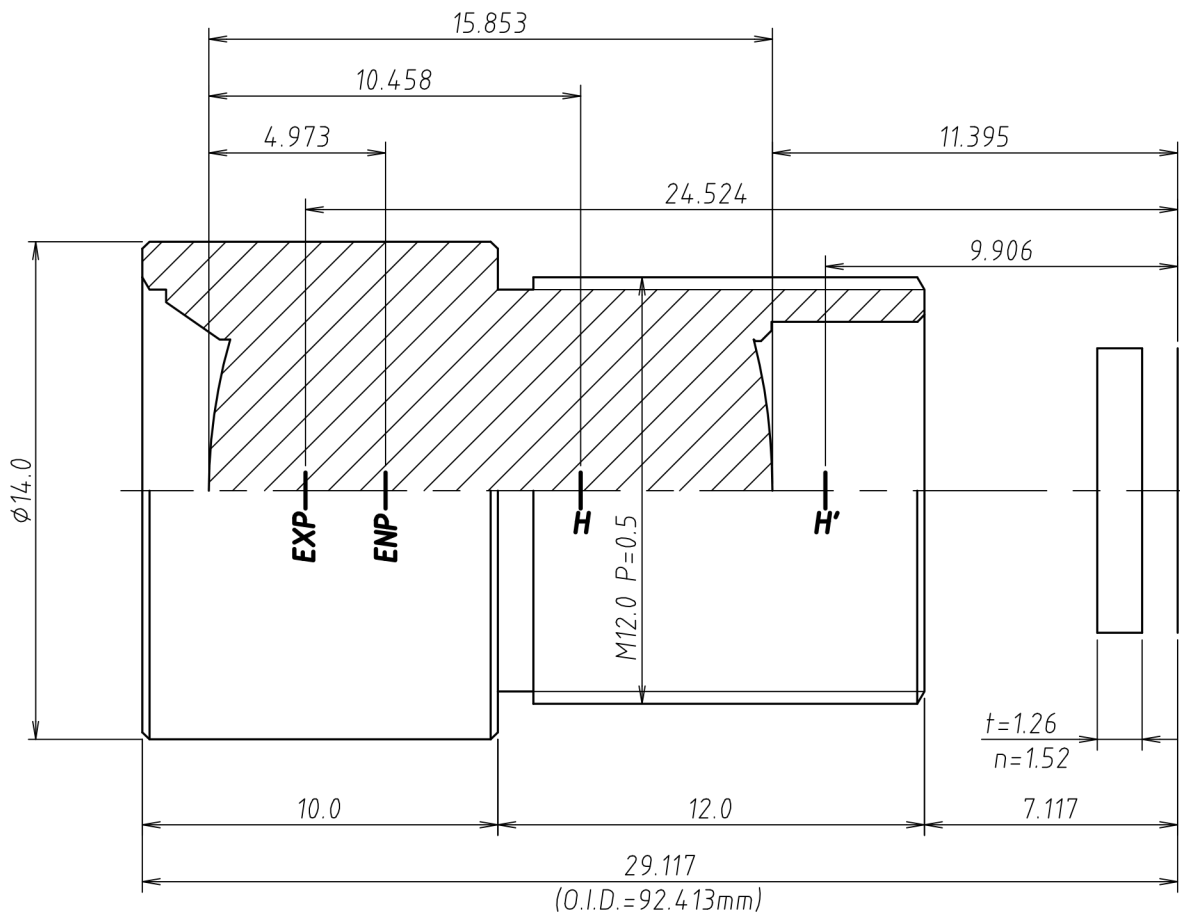
Selements Slenses

Note:

△ 1.	1/4" CCD (2.7X3.6)	1/2" CCD (4.8X6.4)
	Vertical : 16.8°	Vertical : 29.6°
	Horizontal : 22.3°	Horizontal : 39.1°
	Diagonal : 27.8°	Diagonal : 48.4°

2/3" CCD (6.6X8.8)

Vertical	: 40.3°
Horizontal	: 52.8°
Diagonal	: 64.0°



UNIVERSE KOGAKU (AMERICA), INC.

116 Audrey Avenue, Oyster Bay, New York 11771
Phone: (516)624-2444/Fax: (516)624-3109

△			TITLE	8.75mm F/2.4 CCD LENS	DRAWN	S.I.
△			P/NO.	DC-9N	CHECKED	Y.M.
△	07/09/14	additional note	Mfg.NO.	VC901A-Y02-1	UOI	DC-9N
△	01/14/02				SHEET	1 OF 1
					REV	B