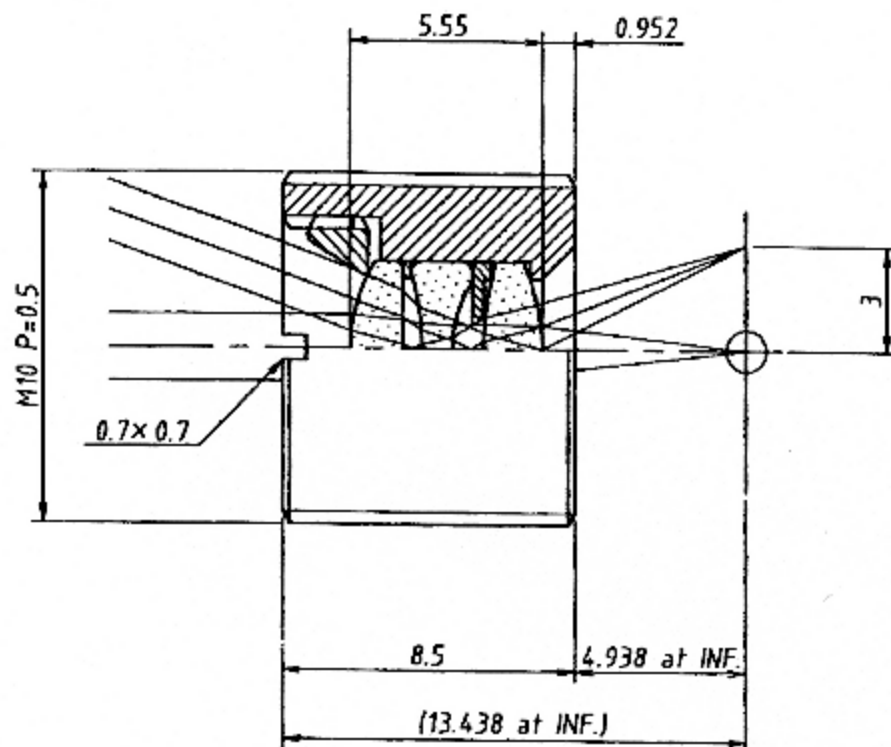


Lens Specification	
Focal length	8.500mm±5%
Back focal length	5.890mm at INF.
Mechanical back	4.938mm±0.3mm
Aperture ratio	F/4.5 ±5%
Image size	1/3"(3.6mmx4.8mm)
Magnification	-
Distortion	-1.2%
Angle of view at INF.	
Vertical	24.0°
Horizontal	31.8°
Diagonal	39.3°
Resolution	
Center	160LP/mm
Corner	63LP/mm
Pupil positions from the lens surface.	
Entrance pupil	3.97mm (front lens)
Exit pupil	-7.46mm (image plane)
Principal points from the lens surface.	
Object space	2.78mm (front lens)
Image space	-8.50mm (image plane)
Coating (λ = 546nm)	
All surfaces are antireflection coated. MgF2 single coated.	



UNIVERSE KOGAKU (AMERICA), INC.
116 Audrey Avenue, Oyster Bay, New York 11771
Phone: (516) 624-2444/Fax: (516) 624-3109

4		TITLE	8.5mm F/4.5 LENS	
3		P/NO.	CR-8.5	
2		Mfg. NO.		SHEET OF REV
1				
	02/15/05			