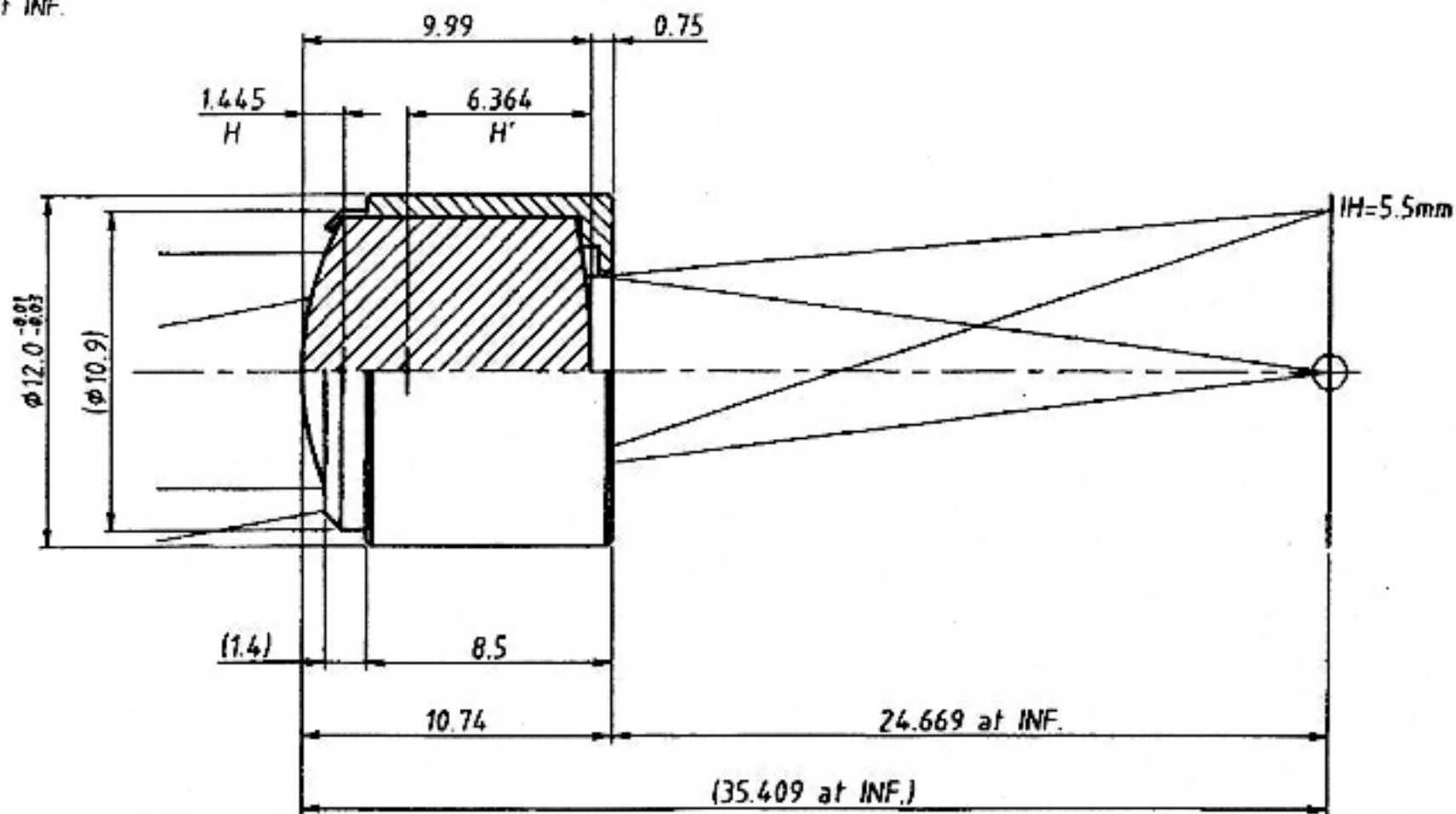


**Lens Specification ( $\lambda = 587\text{nm}$ )**

Focal length : 31.783mm  $\pm 5\%$   
 Back focal : 25.419mm  $\pm 5\%$   
 Mechanical back : 24.669mm  $\pm 0.5\text{mm}$  at INF.  
 Aperture ratio : F/4.0  $\pm 5\%$   
 Image size : 2/3" CCD (6.6x 8.8)  
 Angle of view  
   Image to object distance = Infinity  
   Diagonal : 19.6°  
   Horizontal : 15.8°  
   Vertical : 11.9°  
 OPT. Distortion : 0.15% (Diagonal)  
 Aperture of front lens :  $\phi 9.47$   
 Aperture of rear lens :  $\phi 6.44$   
 Coating : All surface are antireflection coated.  
           (MgF2 single coat)  
           ( $\lambda = 550\text{nm}$ )



**UNIVERSE KOGAKU (AMERICA), INC.**

116 AUDREY AVENUE, OYSTER BAY, NEW YORK 11771  
 PHONE: (516) 624-2444 FAX: (516) 624-3109

**TITLE**

32mm F/4.0 LENS

**DATE**

12/8/99

**SCALE**

None

**NO.**

CCV-32

**DRAWN**

APPROVED