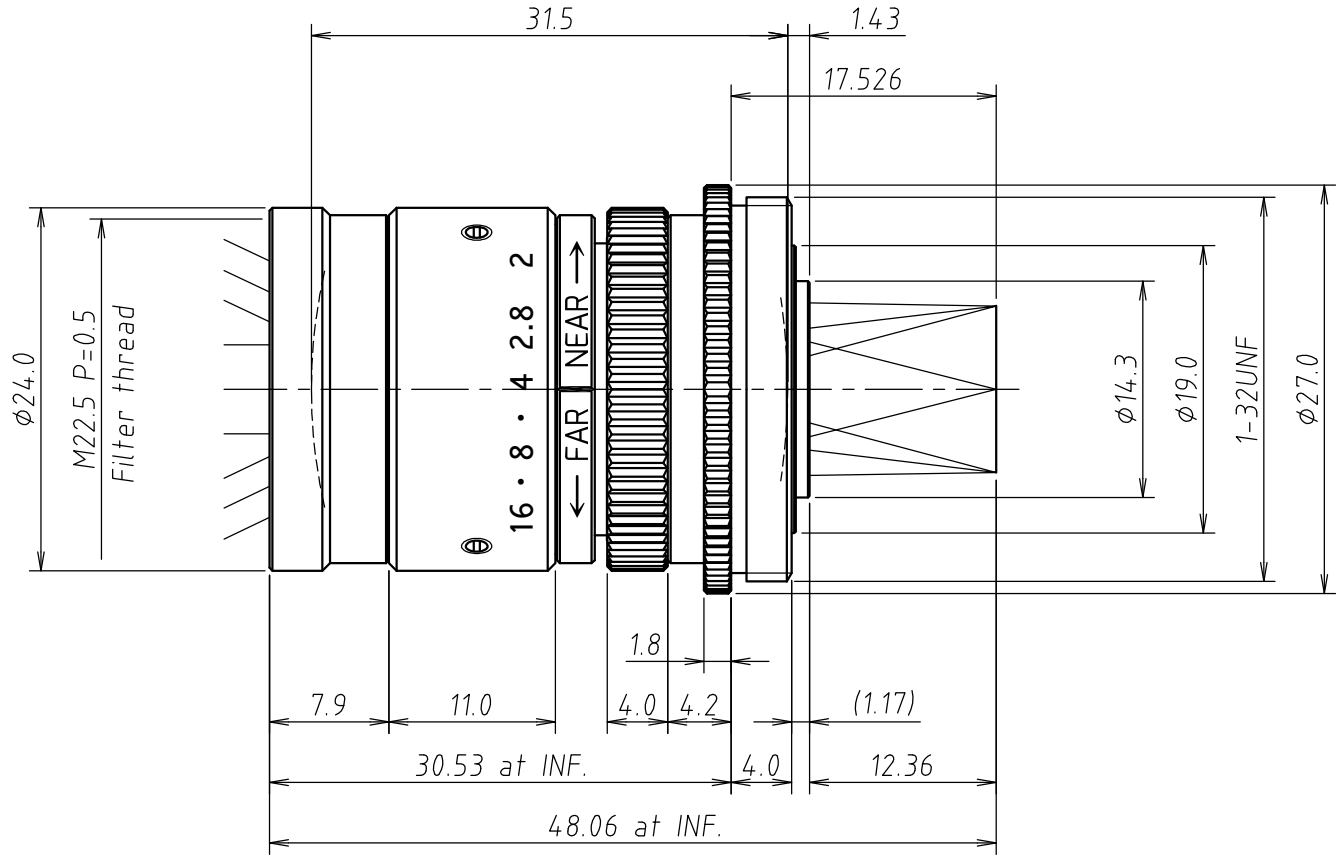


Lens Specification	
Focal length	12.0mm±0.5%
Back focal length	13.79mm±5%
Mechanical back	12.36mm
Aperture ratio	F/2.0 ±5%
Image size	2/3"(6.6X8.8)
Magnification	-
Distortion	-3.7%
Angle of view at INF.	
Vertical	31.2°
Horizontal	41.2°
Diagonal	50.9°
Resolution W.D.=300mm	
Center	200LP/mm
Corner	125LP/mm
Pupil positions	
Entrance pupil	11.09mm (Front lens)
Exit pupil	-34.58mm (Image plane)
Principal points	
Object space	18.93mm (Front lens)
Image space	-12.0mm (Image plane)
Coating	
All surfaces are antireflection coated.	

Specifications above are design specifications.

Note:



**UNIVERSE KOGAKU (AMERICA), INC.**

116 Audrey Avenue, Oyster Bay, New York 11771  
Phone: (516)624-2444/Fax: (516)624-3109

△4		TITLE	12.0mm F/2.0 LENS W/C-Mount 5Megapixel		DRAWN	S.I.
△3		P/N0.	BL120C	SCALE	CHECKED	I.S.
△2				2:1		
△1		Mfg.NO.	BL120C-Y02-0	UOI	BL120C	SHEET 1 OF 1
	06/05/2019					REV A