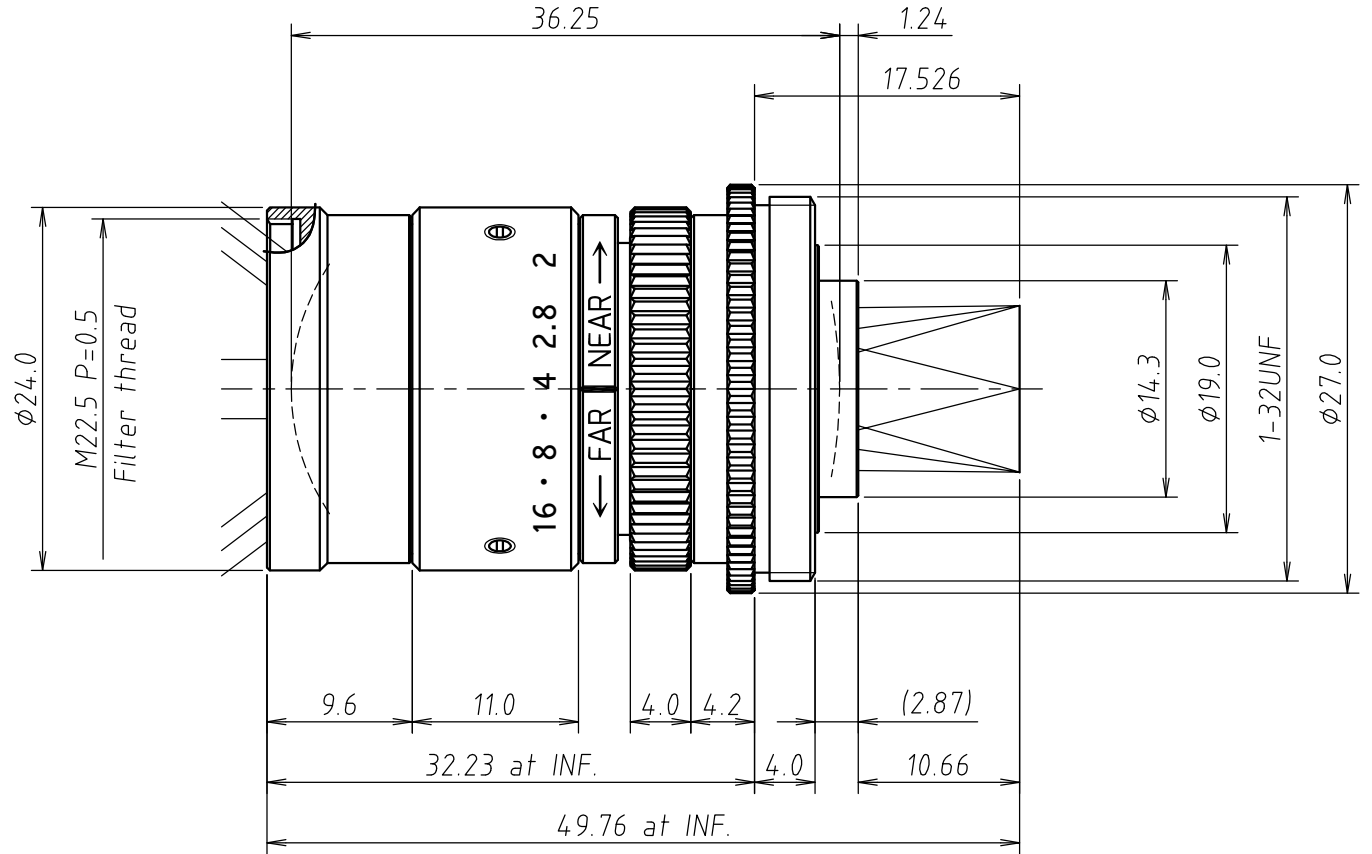


Lens Specification	
Focal length	8.0mm±5%
Back focal length	11.9mm±5%
Mechanical back	10.66mm
Aperture ratio	F/2.0 ±5%
Image size	2/3"(6.6X8.8)
Magnification	-
Distortion	-9.3%
Angle of view at INF.	
Vertical	46.3°
Horizontal	60.8°
Diagonal	74.3°
Resolution W.D.=200mm	
Center	200LP/mm
Corner	125LP/mm
Pupil positions	
Entrance pupil	9.34mm (Front lens)
Exit pupil	-39.16mm (Image plane)
Principal points	
Object space	15.71mm (Front lens)
Image space	-7.99mm (Image plane)
Coating	
All surfaces are antireflection coated.	

Specifications above are design specifications.

Note:



UNIVERSE KOGAKU (AMERICA), INC.

116 Audrey Avenue, Oyster Bay, New York 11771
Phone: (516)624-2444/Fax: (516)624-3109

△4		TITLE	8.0mm F/2.0 LENS W/C-Mount 5Megapixel		DRAWN	S.I.
△3		P/NO.	BL080C	SCALE	2:1	CHECKED
△2						I.S.
△1						
	06/05/2019	Mfg.NO.	BL080C-Y02-0	UOI	BL080C	SHEET 1 OF 1
						REV A