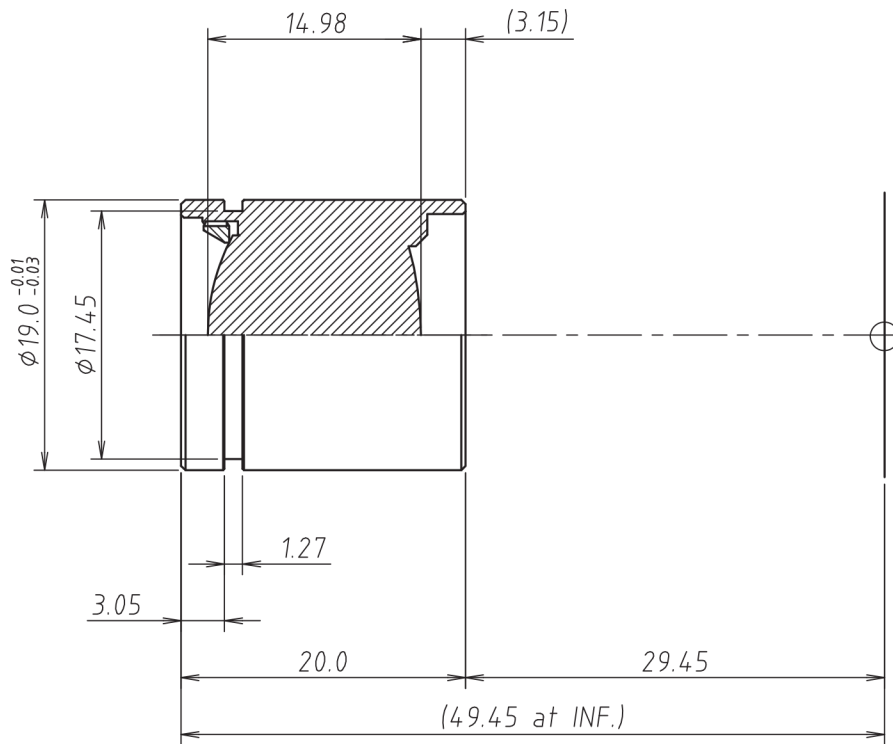


Lens Specification

Focal length	39.99mm±5%
Back focal length	32.60mm±5%
Mechanical back	29.45mm±0.5mm at Inf.
Aperture ratio	F/3.2 ±5%
Image size	∅22.0
Magnification	-
Distortion	-0.23%
Angle of view at INF.	
Vertical	-
Horizontal	-
Diagonal	30.9°
Resolution	
Center	100LP/mm
Corner	80LP/mm
Pupil positions from the lens surface.	
Entrance pupil	8.09mm (Front lens)
Exit pupil	-38.35mm (Image plane)
Principal points from the lens surface.	
Object space	6.44mm (Front lens)
Image space	-39.99mm (Image plane)
Coating (λ=546nm)	
All surfaces are antireflection coated. MgF2 single coated.	



Note:

- | | |
|--------------------|--------------------|
| 1/3" CCD (3.6X4.8) | 1/2" CCD (4.8X6.4) |
| Vertical : 5.2° | Vertical : 6.9° |
| Horizontal : 6.9° | Horizontal : 9.2° |
| Diagonal : 8.6° | Diagonal : 11.4° |
- | | |
|--------------------|--------------------|
| 2/3" CCD (6.6X8.8) | 1" CCD (9.6X12.8) |
| Vertical : 9.4° | Vertical : 13.7° |
| Horizontal : 12.6° | Horizontal : 18.2° |
| Diagonal : 15.7° | Diagonal : 22.7° |



UNIVERSE KOGAKU (AMERICA), INC.

116 Audrey Avenue, Oyster Bay, New York 11771
Phone: (516)624-2444/Fax: (516)624-3109

△		TITLE	40.0mm F/3.2 LENS	DRAWN	S.I.
△		P/NO.	AVR-40	CHECKED	Y.M.
△		Mfg.NO.	KA401A-Y01-0	UOI	AVR-40
△	02/21/2013			SHEET	1 OF 1
				REV	A